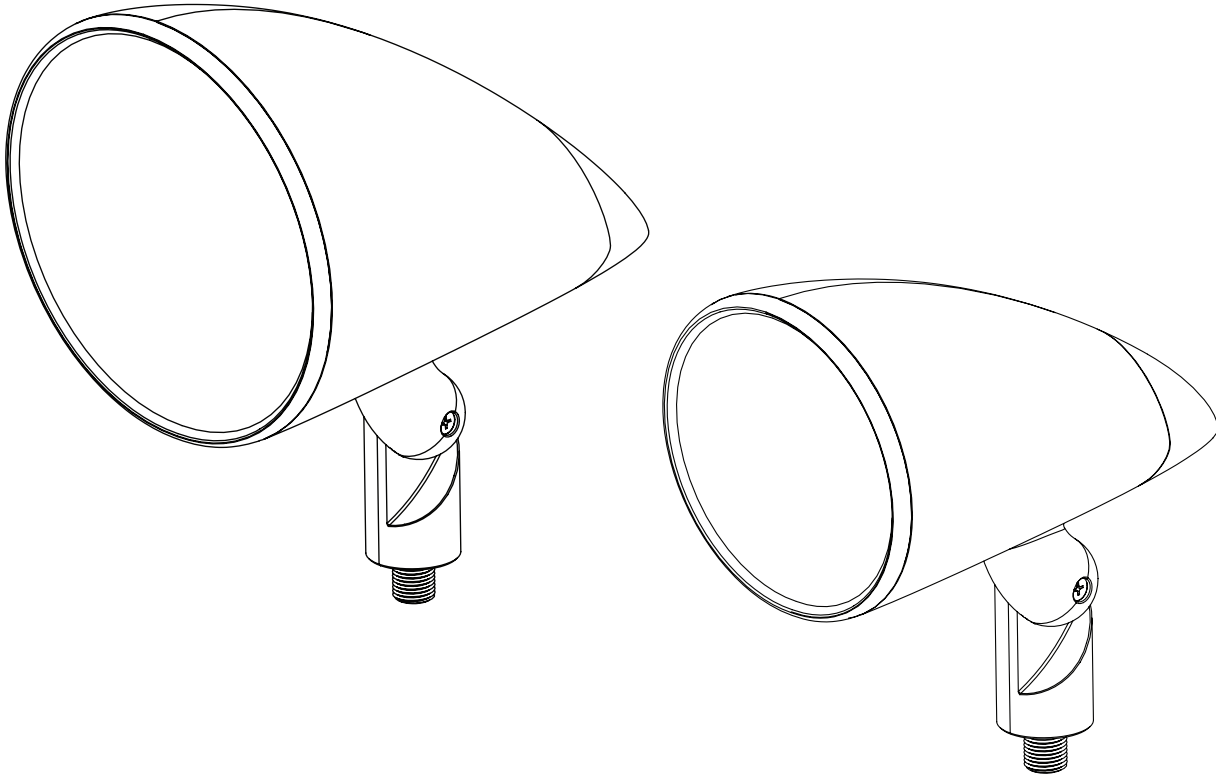


OUTDOOR | OUTDOOR 40 SAT | 60 SAT

u s e r ' s m a n u a l



OUTDOOR LIVING SERIES

by *MARTIN LOGAN*®

Register your warranty online at www.MartinLogan.com.

TABLE OF CONTENTS

Overview	3
MartinLogan Outdoor Living Series Satellite Speakers . . .	3
Required Tools	3
Power	3
Planning The Install	4
Quantity Recommendations	5
Wiring Recommendations	5
Installation Considerations	5
Wiring & Speaker Installation	6
Mono Setup Using 4 Conductor Burial Cable & Crown Amplifier.	6
Preparing the 4 Conductor Burial Cable	6
Installing Ground Stake Accessory & Attaching Speaker	7
Installing Surface Mount Bracket Accessory & Attaching Speaker	9
Speaker & Burial Cable Connections	11
Speaker Direction & Settings.	11
Optional Inground Conduit Box	12
OPTION 1: PVC Conduit Installation	12
OPTION 2: Burial Cable Installation	12
Test System	13
To Avoid Speaker Damage	14
Listening Outdoors	14
Off Season Speaker Cover	14
Audio Settings Chart	15
Warranty	16
Service	16
Specifications	17
Dimensional Drawings	18

OVERVIEW

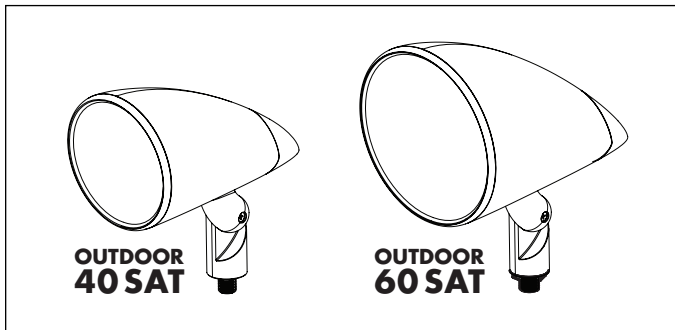
MartinLogan Outdoor Living Series Satellite Speakers

The MartinLogan Outdoor Living Series satellite speakers are premium sounding all-season outdoor speakers.

OUTDOOR SAT 40 and OUTDOOR SAT 60 are sold individually and can be ordered in accordance with the area to be covered.

Made of durable UV treated ABS plastic, MartinLogan Outdoor Living Series speakers can endure the elements while providing years of trouble free service.

While installation is relatively easy, MartinLogan's Outdoor Living Series products are designed to be installed by your authorized MartinLogan dealer.



WARNING!



- ACCOUNT FOR POTENTIAL ELECTRICAL, GAS, BURIED CABLES, PLUMBING OR OTHER OBSTACLES BEFORE INSTALLING GROUND STAKES.



- MANY LOCALITIES FORBID DIGGING WITHOUT PRIOR NOTIFICATION. CONTACT LOCAL AUTHORITIES BEFORE INSTALLATION.



- READ AND FOLLOW all instructions before beginning installation.



IMPORTANT! CONTENTS OF OUTDOOR SAT 40 AND OUTDOOR SAT 60 SATELLITE SPEAKERS DO NOT CONTAIN MOUNTING OPTIONS. THESE MUST BE PURCHASED SEPARATELY:

Contents of OUTDOOR SAT 40 and OUTDOOR SAT 60:

- (1) Speaker with Mounting Arm
- (1) Off-Season Speaker Cover
- (2) Silicone-Filled Wire Connectors

Mounting Options (Sold Separately):

- Ground Stake
- Surface Mount Bracket
- Inground Conduit Box

Required Tools:

- Shovel
- Cable Strippers
- Phillips Screwdriver
- Wrench

Power

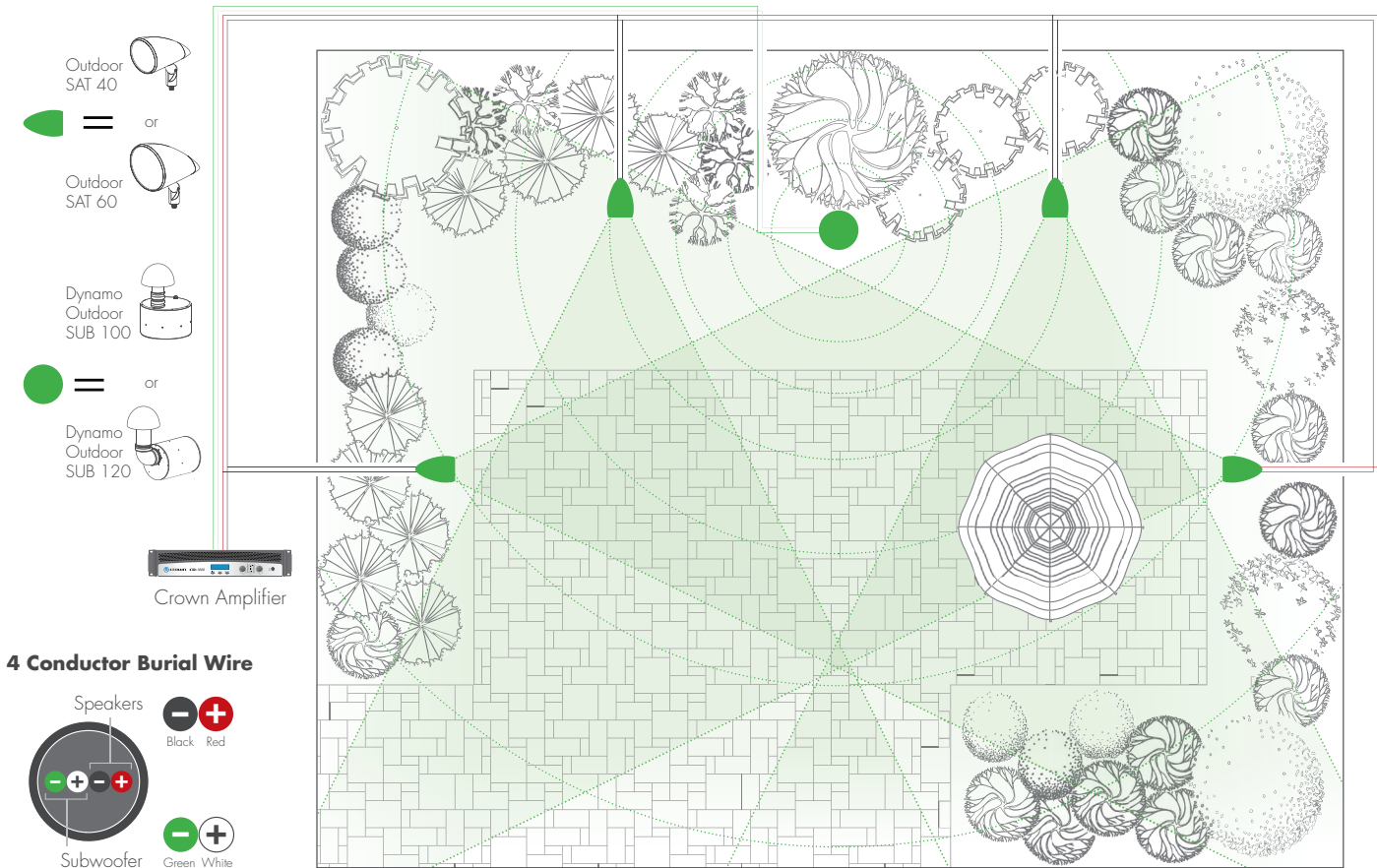
- Crown CDi 1000 Amplifier or dealer recommended amp

The MartinLogan OUTDOOR SAT 40 and OUTDOOR SAT 60 are passive speakers. These speakers are optimized for use with the Crown CDi 1000 amplifier which can be programmed with customized DSP settings for a variety of different speaker/subwoofer installation scenarios. See 'Audio Settings Chart' on page 15.

8 ohm amplifiers can also be used with the MartinLogan Outdoor Living system, however, they will not be able to run the proprietary MartinLogan DSP presets available for the Crown Amplifier. If you use the speakers and subwoofer with an 8 ohm amplifier, we recommend the following. **Satellite Speakers:** Wire only one speaker per amplifier channel and set the tap on each speaker to the 8 ohm setting. Note: Do not wire more than one satellite per amplifier channel in 8 ohm mode. **Subwoofer:** Wire one subwoofer per amplifier channel.

PLANNING THE INSTALL

- Identify the locations and determine the positioning of subwoofer(s) and satellite speakers. Evenly distribute speakers and subwoofer(s) throughout the space.
- Dig the trench according to speakers and accessories to be installed.
- The trench should be 6"–8" deep.
- If using the Crown CDi 1000 amplifier with MartinLogan Outdoor Living presents, you can use:
 - 1 to 3 subwoofers on channel 1 of the amplifier
 - 1 to 100 satellite speakers on channel 1 or channel 2 of the amplifier if running 70V
 - 1 to 4 satellite speakers on channel 1 or channel 2 of the amplifier if running 8 Ohm.



QUANTITY RECOMMENDATIONS

USAGE CHART

Product	Use 1x per
SAT 40 or SAT 60	250–500 square feet
SUB 100 or SUB 120	1000–2000 square feet

WIRING RECOMMENDATIONS

We strongly recommend using burial-rated cable (not included) when installing any of the Outdoor Living Series speakers. In addition, it's critical to use the proper speaker cable gauge. Please review the chart below.

We do not recommend use of high gauge wires, as performance will be compromised.

CABLE GAUGE CHART

Total Wire Length	70 Volt	8 Ohm
0–100 feet (0–30 meters)	18 gauge or lower	14 gauge or lower
100+ feet (30+ meters)	16 gauge or lower	12 gauge or lower

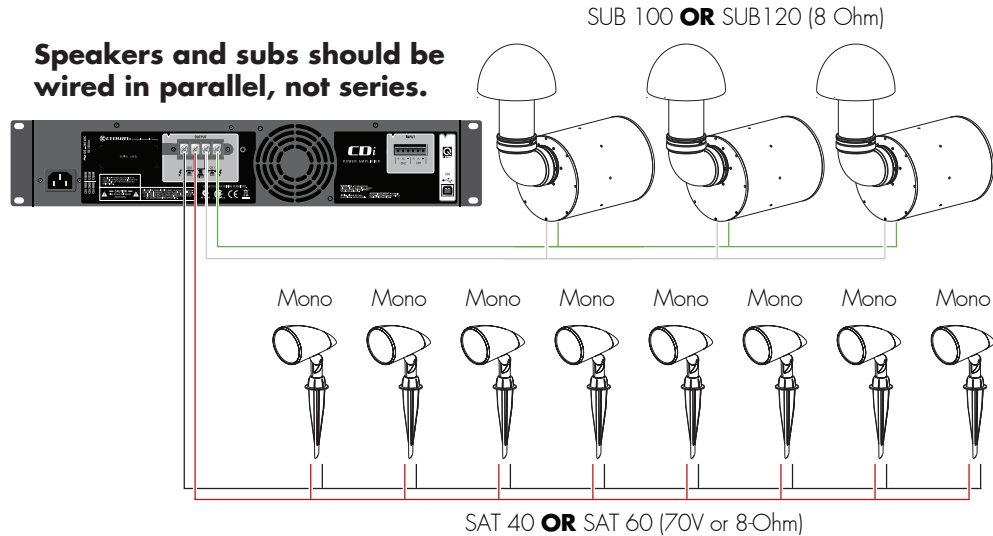
INSTALLATION CONSIDERATIONS

There are a few considerations before you start digging a trench:

- Ensure that ALL Speakers are tested prior to installation.
- Ensure that the proposed area is easily accessed and that the area is not prone to flooding, standing water or where the speakers can be easily damaged, kicked or struck.
- Consider overall landscape/garden design and positioning in relation to listening area

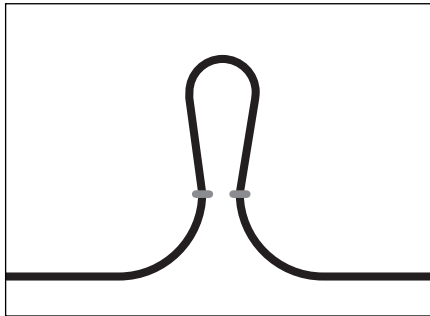
WIRING & SPEAKER INSTALLATION

Mono Setup Using 4 Conductor Burial Cable & Crown Amplifier

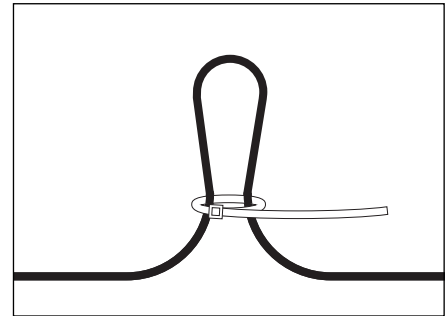


Preparing the 4 Conductor Burial Cable

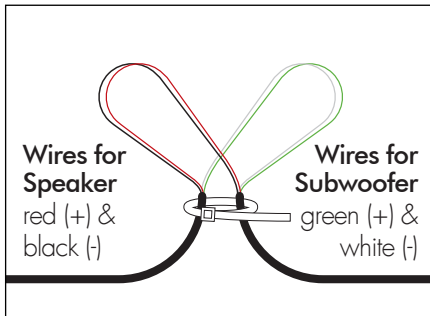
1. Starting with the first speaker and every speaker/sub that comes after, create a loop approximately 6" in length.



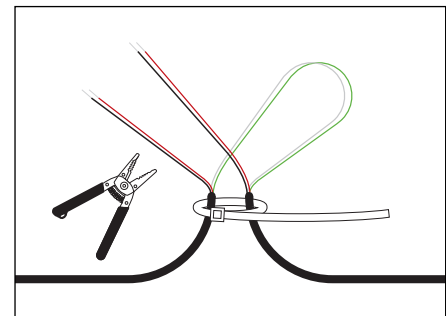
2. Recommended: Use a wire tie (not included) to keep the wire loop intact and act as a strain relief.



3. Use a Round Cable Stripper to remove the outside protective cable jacket to expose the four color-coded wires. Separate the wire loops as shown.



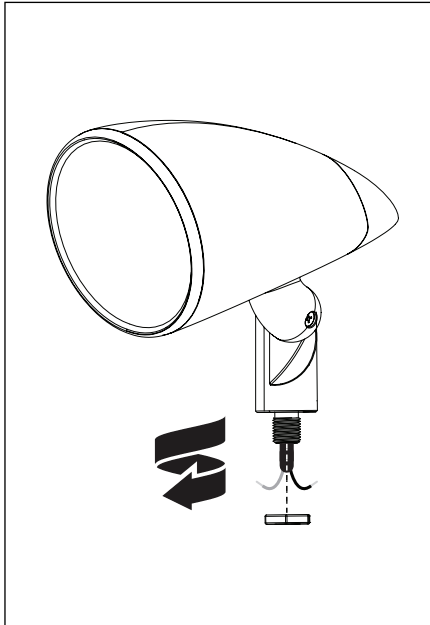
4. Cut the red (+) and black (-) wires with cable strippers and strip off 1 inch (25.4mm) of insulation from the ends if the wires to expose the copper conductor.



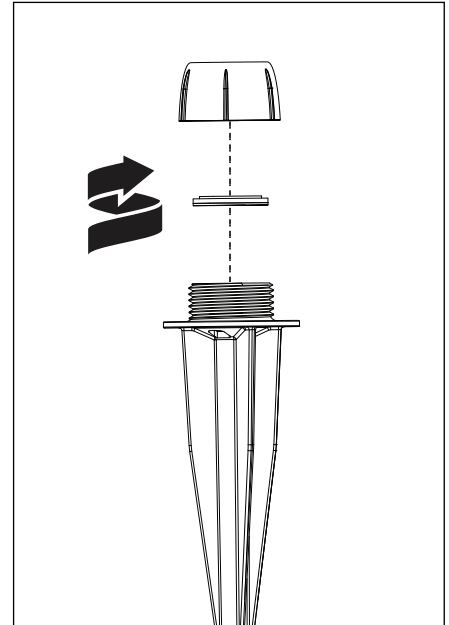
WIRING & SPEAKER INSTALLATION (CONT'D)

Installing Ground Stake Accessory & Attaching Speaker

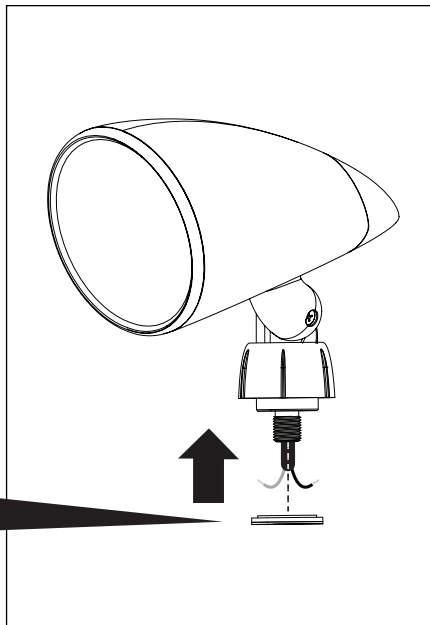
1. Remove nut from the threaded end of the speaker arm.



2. Remove the twist cap and gasketed aluminum washer from the ground stake accessory.

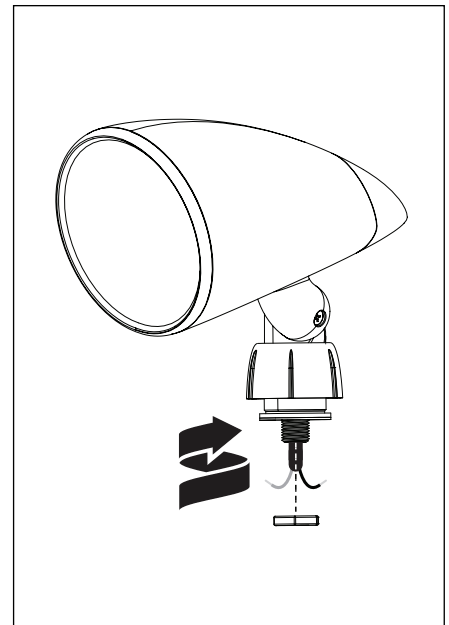


3. Slide the twist cap over the speaker arm then slide the gasketed aluminum washer (from the ground stake) over the threaded end of speaker arm.

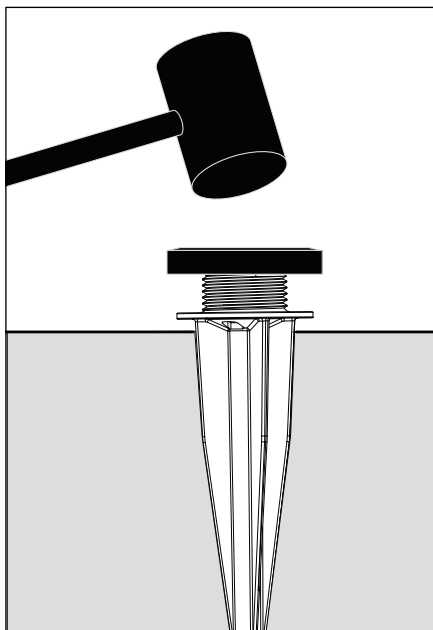


IMPORTANT!
The face of the aluminum washer with the smaller rubber gasket must be facing up.

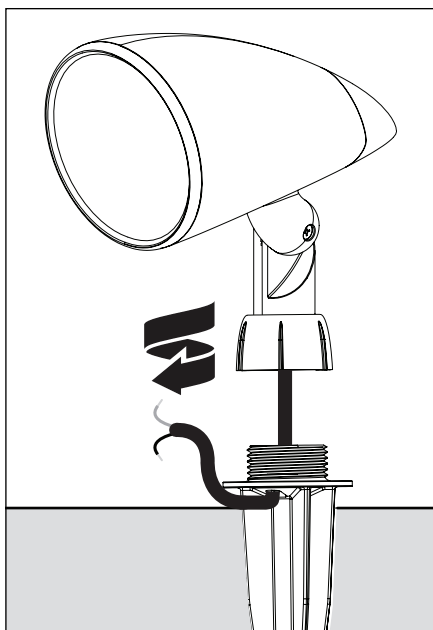
4. Using a wrench, thread and firmly tighten the nut (removed in step 1) over the threaded end of the speaker arm.



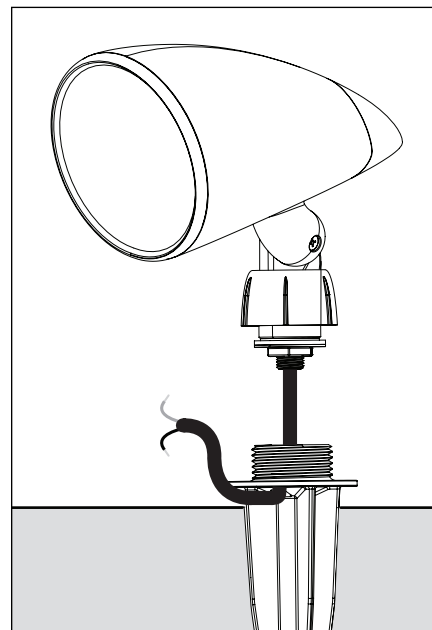
5. Using a mallet and a wooden block, pound the ground stake into the ground. Drive the ground stake down until the ground stake flange is nearly flush with the surface. **Note:** Leave a slight gap between the ground stake flange and the ground surface in order to thread speaker wiring through the wiring hole in the ground stake.



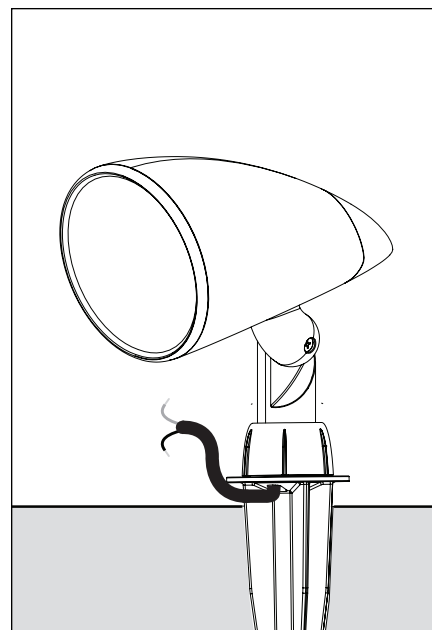
7. To attach the speaker to the ground stake, hand thread the twist cap to the ground stake.



6. Thread the speaker's wiring through the wiring hole in the ground stake.



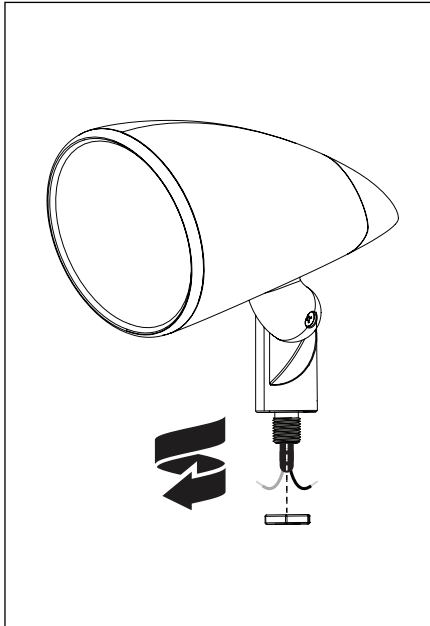
8. The speaker is now mounted to the ground stake. The next step is wiring, go the 'Wiring' section for instructions.



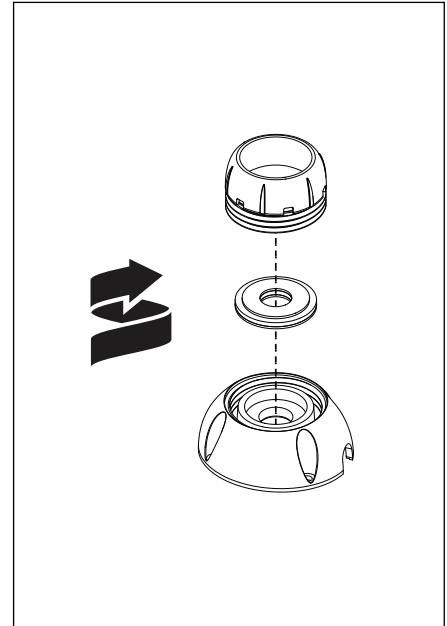
WIRING & SPEAKER INSTALLATION (CONT'D)

Installing Surface Mount Bracket Accessory & Attaching Speaker

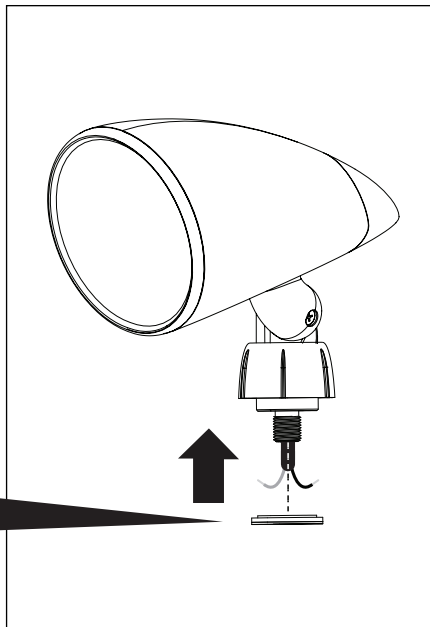
1. Remove nut from the threaded end of the speaker arm.



2. Remove the twist cap and gasketed aluminum washer from the surface mount bracket accessory.

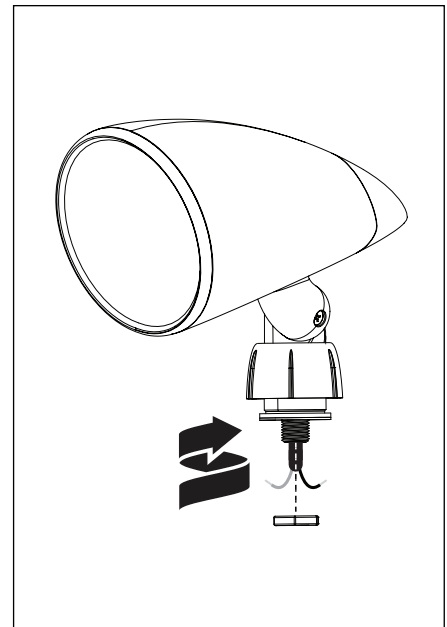


3. Slide the twist cap over the speaker arm then slide the gasketed aluminum washer (from the ground stake) over the threaded end of speaker arm.

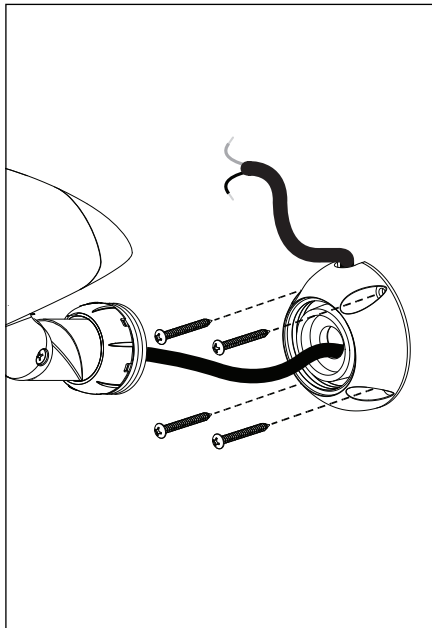


IMPORTANT!
The face of the aluminum washer with the smaller rubber gasket must be facing up.

4. Using a wrench, thread and firmly tighten the nut (removed in step 1) over the threaded end of the speaker arm.



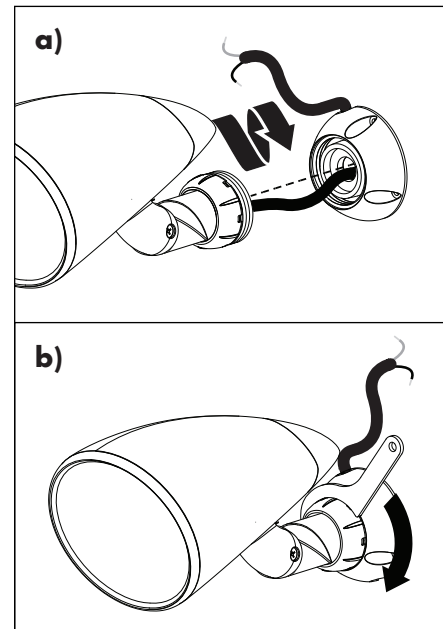
- 5.** Thread the speaker wire through the center hole and out of the wire opening on the surface mount bracket base. Place surface mount bracket base flush against the surface you wish to install your speaker. To attach surface mount bracket base to the surface, use appropriate



screws (not supplied) for your installation. For specifications on screws, see your dealer for details.

Note: For a wall mounted installation where a wire connection is contained within the surface mount bracket base, please follow these instructions. It is recommended that the speaker wire be cut short and the wire sleeve should be removed to expose the red (+) and black (-) wires. Follow steps **6 a-b**, but do not attach the assembled speaker with surface mount bracket base until your wire connections are made with silicone-filled wire connectors covering the exposed wire connections. The wire connections with silicone-filled wire connectors must be stuffed inside the surface mount bracket base before attaching to the desired surface with appropriate screws (not supplied) for your installation. For specifications on screws, see your dealer for details.

- 6.** To attach the speaker to the surface mount bracket base:
a) First hand thread the twist cap to the surface mount bracket base.
b) Now firmly tighten the twist cap with the provided wrench.

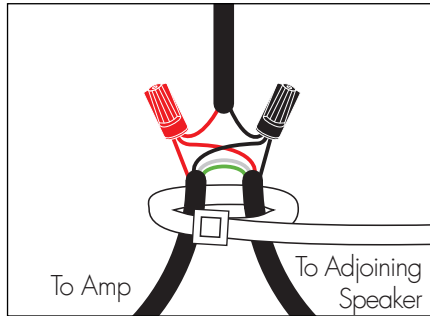


For wiring instructions see 'Speaker & Burial Cable Connections' on page 11.

WIRING & SPEAKER INSTALLATION (CONT'D)

Speaker & Burial Cable Connections

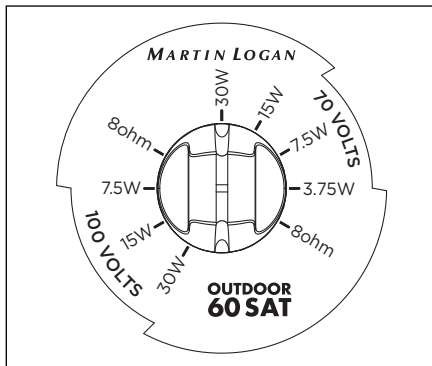
Combine and twist (clockwise) the red wires (as shown in the diagram) from the amp, speaker and to the next speaker. Secure these three wires using the provided silicone-filled wire



connectors; Repeat procedure for Black wires. **NOTE:** You may have to cut some of the speaker cable emanating from the speaker to a more manageable size.

SPEAKER DIRECTION & SETTINGS

- 1. Aim the speaker** by loosening the screw in the speaker arm and retightening once the desired aim is achieved.
- 2. Set the dial on every satellite speaker in your system.** To access the dial, remove the rear cap from your satellite speaker by turning a quarter turn in a counter clockwise direction. Now pull the cap away from the satellite enclosure. Set the dial to correspond with the number of satellite speakers and subwoofers in the installation (see 'Audio Settings Chart' on page 15).



OPTIONAL INGROUND CONDUIT BOX

Following the same instructions outlined for the Ground Stake or Surface Mount Bracket accessory. The Outdoor Living Series Inground Conduit Box can be substituted. Knock out holes in the Inground Conduit Box as needed. Conduit is sold separately.

Included:

- (1) Inground Conduit Box
- (1) Two Piece Mounting Post
- (8) Stainless Steel Screws
- (4) Ground Stakes

Recommended Tools:

- Drill
- PVC Glue – for PVC conduit or fittings
- Silicone Caulk
- Shovel
- Hammer
- #2 Phillips Screwdriver
- Wrench

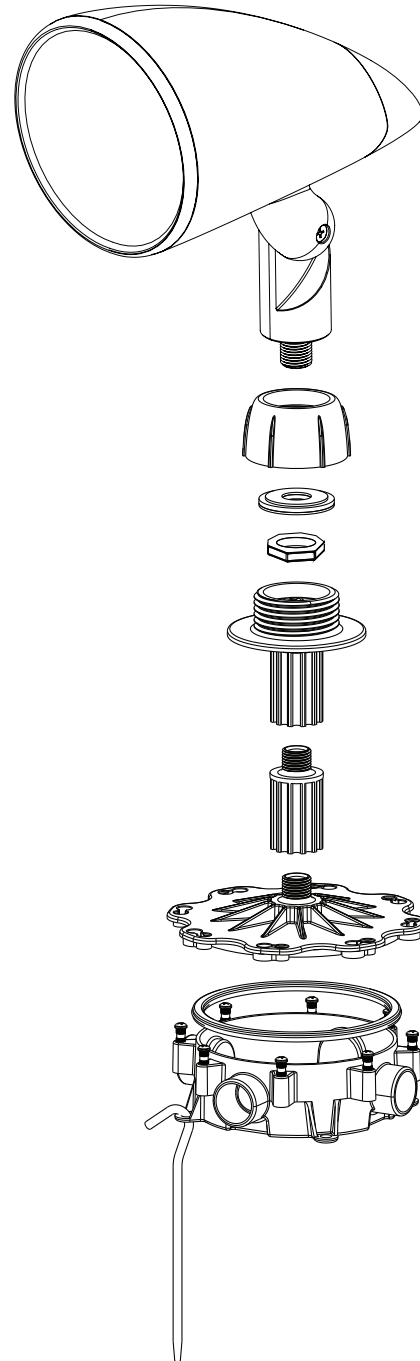
Installation Instructions



IMPORTANT! Test your system before gluing or caulking any part of the Inground Conduit Box or any conduit piping connections. Use silicone caulk to seal any openings used for cable. Allow caulk and glue to dry completely before burying the Inground Conduit Box.

OPTION 1: PVC Conduit Installation – Knock out the conduit openings to be used. Glue the conduit piping to the Inground Conduit Box. * Draw the cable through the conduit and pull at least 8 inches of cable into the box cavity.

Note: The Inground Conduit Box openings are 3/4" in diameter. Other conduit piping sizes may be used with adapters.



OPTIONAL INGROUND CONDUIT BOX (CONT'D)

OPTION 2: Burial Cable Installation – Drill a hole into the center of the knock out slightly larger than the cable. Route the cable through and pull at least 8 inches of cable into the box cavity. Seal the entrance completely with silicone.* Place the Inground Conduit Boxes in their appropriate trench location, ensuring a minimum depth of 6 inches.

3. Install the satellite speaker to the Inground Conduit Box lid, using the two piece post. Use silicone in the threads to enhance sealing of the Inground Conduit Box against moisture.*
4. Use the silicone-filled wire connectors included with the speaker to terminate the wiring connections. Turn the silicone-filled wire connectors clockwise by hand until they are tight.

5. The box may now be closed. A weatherproof gasket is attached to the cover, but for additional water intrusion protection, line the inside edge of the cover with silicone where it contacts the box, then assemble the box using the 8 screws.* Tighten the screws tightly by hand with a #2 screwdriver.
6. Anchor Inground Conduit Box in the hole using the 4 provided stakes. Install all speakers and test the system before burying the boxes and wiring.
7. Using a screw driver, adjust the speaker angle and position last.

*See **'IMPORTANT!'** notice on the previous page.

TEST SYSTEM

After all satellites and subwoofer connections are completed, connect the wires to your receiver or amplifier.

IMPORTANT! Be sure not to let any stray '+' and '-' strands touch each other. Touching strands will cause a short circuit which could damage your amplifier.

Turn your receiver or amplifier 'On' and test the system with your favorite music. If the speakers are operating properly, refill the wire trench and enjoy your new speakers.

TO AVOID SPEAKER DAMAGE

Don't be fooled by your amplifier's volume control. It adjusts listening level—it does not indicate power output. If your speakers begin to sound harsh or grating, or if you hear the bass breaking up, turn the volume down immediately or you will damage your speakers! This type of damage constitutes abuse and is not covered by the warranty!

Tone controls and equalizers can demand even more power from an amplifier, lowering the point at which it produces clipping distortion. Use them sparingly, if at all, and do not use them when listening at loud levels.

LISTENING OUTDOORS

Outdoors there are no walls to contain sound. Background noise is louder and the distance listeners are from the speaker(s) is usually greater. Achieving a reasonable listening level can be more difficult. The tendency is to turn up the volume, however this may disturb neighbors and when turned up too high, can seriously damage the speakers or your amplifier.

The solution? In larger areas we recommend using multiple MartinLogan Outdoor Living Series speakers. Using more speakers ensures that sound is evenly distributed, allowing for reasonable listening levels at lower volumes. Demand on the amplifier is reduced and neighbors are not disturbed. Think of it this way: When lighting a large outdoor area, using multiple floodlights on a dimmer set to a low setting is far more effective than using a single floodlight with the dimmer set to high.

OFF SEASON SPEAKER COVER

During the off season, when your speakers are not in use for prolonged periods, you can cover your speakers from the elements using the cover included. This cover is breathable, while protecting your speaker for harsh, inclement weather.

AUDIO SETTINGS CHART

LARGE SYSTEM INSTALLATION (8 Ohm SUBS with 70 Volt SATS)

	CHANNEL 1 ON CROWN AMP	CHANNEL 2 ON CROWN AMP	PRESET NAME ON CROWN AMP	POWER OUTPUT ON CROWN AMP	SETTINGS FOR MARTINLOGAN SUBWOOFERS AND SPEAKERS
Crown CDi1000 Amplifier	<i>MartinLogan product connected to Amp Channel 1</i>	<i>MartinLogan product connected to Amp Channel 2</i>	<i>Set Crown CDi 1000 amplifier preset to</i>	<i>Amplifier signal provided to speakers</i>	OUTDOOR SUB 100 or 120
Amp Channel 1: OUTDOOR SUB subwoofers plus Amp Channel 2: OUTDOOR SAT speakers	SUB 100	SAT 40	40SAT100	Amp Channel 1: 8 Ohm	Amp Channel 1: 1-3 subwoofers (<i>sub is always 8 Ohm</i>)*
	SUB 100	SAT 60	60SAT100		
	SUB 120	SAT 40	40SAT120	Amp Channel 2: 70 Volt	OUTDOOR SAT 40 or 60
	SUB 120	SAT 60	60SAT120		
Amp Channels 1 and 2: OUTDOOR SAT speaker(s)	SAT 40 (mono)	SAT 40 (mono)	40SAT_MO	Amp Channel 1: 70V Volt	Amp Channel 1 or 2: 1-12 speakers* 70 VOLTS / 30W (or less)
	SAT 60 (mono)	SAT 60 (mono)	60SAT_MO		
	SAT 40 (stereo)**	SAT 40 (stereo)**	40SAT_ST	Amp Channel 2: 70 Volt	Amp Channel 1 or 2: 13-24 speakers* 70 VOLTS / 15W (or less)
	SAT 60 (stereo)**	SAT 60 (stereo)**	60SAT_ST		
					Amp Channel 1 or 2: 25-49 speakers* 70 VOLTS / 7.5W (or less)
					Amp Channel 1 or 2: 50-100 speakers* 70 VOLTS / 3.8W (or less)

* Using a large number of speakers per amplifier channel will result in lower overall system volume. Large systems may benefit from multiple amplifiers.

** The wiring harness provided with the MartinLogan sourced Crown CDi 1000 amplifier is configured for mono. To convert this wiring harness for stereo, cut the blue wire on the harness.

COMPACT SYSTEM INSTALLATION (8 Ohm SUBS with 8 Ohm SATS)

	CHANNEL 1 ON CROWN AMP	CHANNEL 2 ON CROWN AMP	PRESET NAME ON CROWN AMP	POWER OUTPUT ON CROWN AMP	SETTINGS FOR MARTINLOGAN SUBWOOFERS AND SPEAKERS
Crown CDi1000 Amplifier	<i>MartinLogan product connected to Amp Channel 1</i>	<i>MartinLogan product connected to Amp Channel 2</i>	<i>Set Crown CDi 1000 amplifier preset to</i>	<i>Amplifier signal provided to speakers</i>	OUTDOOR SUB 100 or 120
Amp Channel 1: OUTDOOR SUB subwoofers plus Amp Channel 2: OUTDOOR SAT speakers	SUB 100	SAT 40	840ST100	Amp Channel 1: 8 Ohm	Amp Channel 1: 1-3 subwoofers (<i>sub is always 8 Ohm</i>)*
	SUB 100	SAT 60	860ST100		
	SUB 120	SAT 40	840ST120	Amp Channel 2: 8 Ohm	OUTDOOR SAT 40 or 60
	SUB 120	SAT 60	860ST120		
Amp Channels 1 and 2: OUTDOOR SAT speakers	SAT 40 (mono)	SAT 40 (mono)	840STMO	Amp Channel 1: 8 Ohm	Amp Channel 1 or 2: 1-4 speakers* 8ohm
	SAT 60 (mono)	SAT 60 (mono)	860STMO		
	SAT 40 (stereo)**	SAT 40 (stereo)**	840SATST	Amp Channel 2: 8 Ohm	
	SAT 60 (stereo)**	SAT 60 (stereo)**	860SATST		

* Using a large number of speakers per amplifier channel will result in lower overall system volume. Large systems may benefit from multiple amplifiers.

** The wiring harness provided with the MartinLogan sourced Crown CDi 1000 amplifier is configured for mono. To convert this wiring harness for stereo, cut the blue wire on the harness.

LIMITED WARRANTY

MartinLogan offers online warranty registration at www.martinlogan.com.

Your speaker is provided with an automatic Limited 90 Day Warranty coverage.

You have the option, at no additional charge, to receive a Limited 3 Year Warranty coverage. To obtain the Limited 3 Year Warranty coverage register your speakers at www.martinlogan.com. Save a copy of your dealer receipt as it may be requested if service is required.

MartinLogan may not honor warranty service claims unless we have a completed Warranty Registration on file at www.MartinLogan.com!

SERVICE

Should you be using your MartinLogan product in a country other than the one in which it was originally purchased, we ask that you note the following:

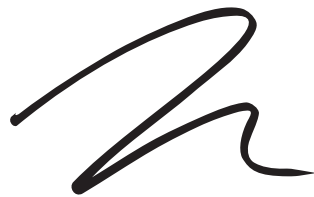
1. The appointed MartinLogan distributor for any given country is responsible for warranty servicing only on units distributed by or through it in that country in accordance with its applicable warranty.
2. Should a MartinLogan product require servicing in a country other than the one in which it was originally purchased, the end user may seek to have repairs performed by the nearest MartinLogan distributor, subject to that distributor's local servicing policies, but all cost of repairs (parts, labor, transportation) must be borne by the owner of the MartinLogan product.
3. If, after owning your speakers for six months, you relocate to a country other than the one in which you purchased your speakers, your warranty may be transferable. Contact MartinLogan for details.

SPECIFICATIONS

	OUTDOOR SAT 40	OUTDOOR SAT 60
Frequency Response	120–20,000 Hz ±3dB	90–20,000 Hz ±3dB
Recommended Amp Power . .	15–120 Watts	15–120 Watts
Recommended Amplifier	Crown CDi 1000 (with MartinLogan custom DSP settings)	Crown CDi 1000 (with MartinLogan custom DSP settings)
Maximum Input Power	60 Watts	80 Watts
Sensitivity — Outdoor	87 dB	92 dB
Sensitivity — Anechoic	83 dB	88 dB
Impedance	Compatible with 8 ohms	Compatible with 8 ohms
Crossover	2,500 Hz	2,500 Hz
High Frequency Driver	0.75" (1.9cm) aluminum dome, ferro-fluid cooled tweeter	0.75" (1.9cm) aluminum dome, ferro-fluid cooled tweeter
Bass/Midrange Driver	4" (10 cm) mineral-filled polypropylene cone	6" (16 cm) mineral-filled polypropylene cone
Input Controls	8-Ohm, 70 Volt (3.75W, 7.5W, 15W, or 30W), 100 Volt (7.5W, 15W, or 30W)	8-Ohm, 70 Volt (3.75W, 7.5W, 15W, or 30W), 100 Volt (7.5W, 15W, or 30W)
Ingress Protection Rating	IP54	IP54
Dimensions	6" (diameter) x 10" (depth) (15.2 cm x 25.4 cm)	8.3" (diameter) x 11.3" (depth) (21 cm x 28.6 cm)
Weight	5 lbs (2.3 kg)	6.5 lbs (3 kg)
Accessories (included)	Off season speaker cover	Off season speaker cover

DIMENSIONAL DRAWINGS

Detailed dimensional drawings of the entire Outdoor Living Series are available for download from MartinLogan.com.



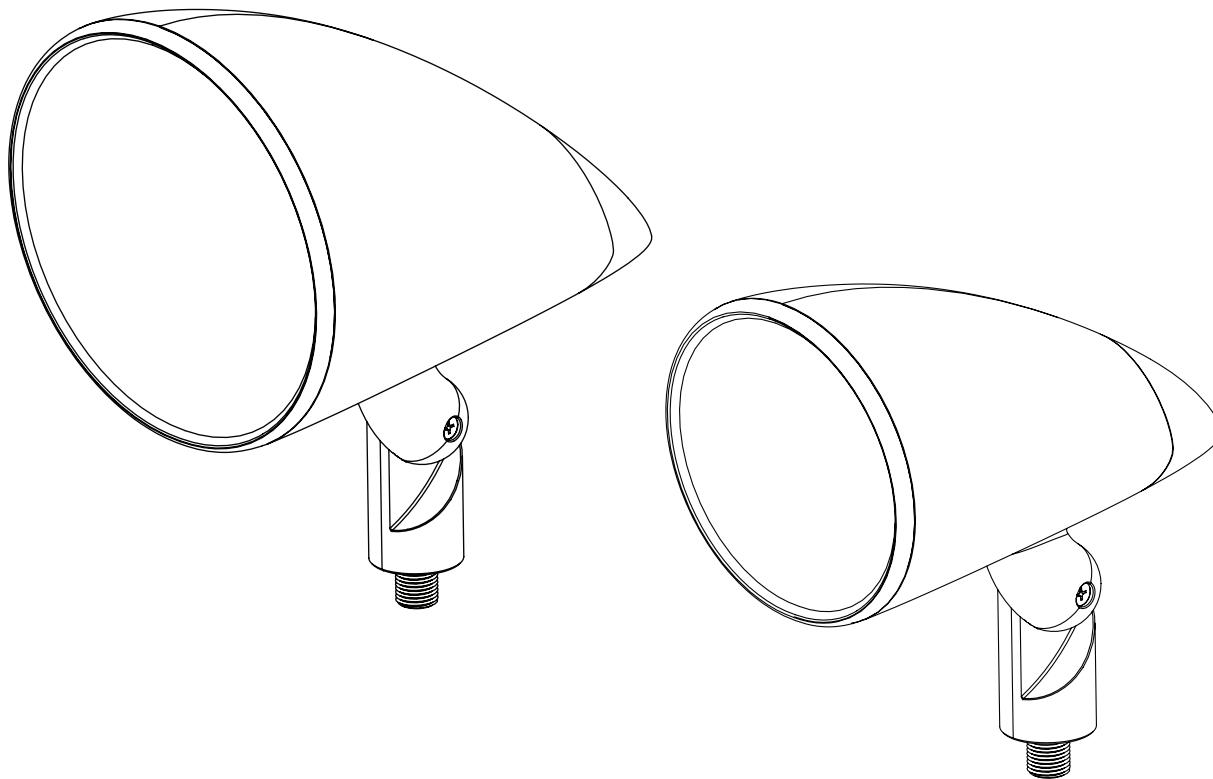
MARTIN LOGAN®

Lawrence, Kansas, USA tel 785.749.0133 fax 785.749.5320 www.martinlogan.com

©2017 MartinLogan Ltd. All rights reserved.

OUTDOOR | OUTDOOR 40 SAT | 60 SAT

guide de l'utilisateur



SÉRIE **OUTDOOR LIVING**

par *MARTIN LOGAN*®

Inscrivez votre garantie en ligne à l'adresse www.MartinLogan.com.

TABLE DES MATIÈRES

Aperçu	3
Enceintes satellites de la série Outdoor Living de MartinLogan	3
Outils nécessaires	3
Alimentation	3
Planification de l'installation	4
Recommandations en matière de quantité	5
Recommandations en matière de câbles	5
Facteurs liés à l'installation	5
Installation des câbles et des enceintes	6
Configuration mono à l'aide de 4 câbles conducteurs souterrains et d'un amplificateur Crown	6
Préparation des 4 câbles conducteurs souterrains	6
Installation d'accessoire de piquet de terre et fixation des enceintes	7
Installation d'accessoire de montage en surface et fixation des enceintes	9
Raccordement entre l'enceinte et le câble souterrain	11
Orientation et paramètres des enceintes	11
Boîte de raccordement souterraine facultative	12
OPTION 1 : Installation avec conduit en PVC	12
OPTION 2 : Installation avec câble souterrain	12
Tester le système	13
Pour éviter les dommages aux enceintes	14
Écoute à l'extérieur	14
Couvercle d'enceinte hors saison	14
Tableau des pré réglages	15
Garantie	16
Spécifications	17
Dessins dimensionnels	18

APERÇU

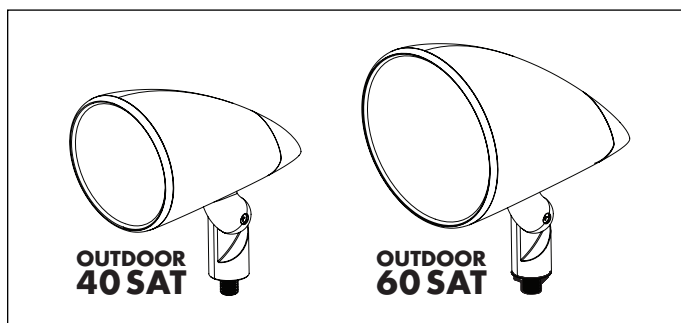
Enceintes satellites de la série Outdoor Living de MartinLogan

Les enceintes satellites de la série Outdoor Living de MartinLogan sont des enceintes extérieures toutes saisons au son exceptionnel.

Les modèles OUTDOOR SAT 40 et OUTDOOR SAT 60 sont vendus individuellement et peuvent être commandés en fonction de la zone à couvrir.

Faites de plastique ABS durable traité contre les rayons UV, les enceintes de la série Outdoor Living peuvent résister aux éléments tout en offrant des années de fonctionnement sans tracas.

Bien que l'installation soit relativement facile, les enceintes de la série Outdoor Living sont conçues pour être installées par votre revendeur MartinLogan autorisé.



MISE EN GARDE!



- **TENEZ COMPTE DES FILS ÉLECTRIQUES, DES CONDUITES DE GAZ, DES CÂBLES SOUTERRAINS, DES TUYAUX DE PLOMBERIE ET DES AUTRES OBSTACLES AVANT D'INSTALLER LES PIQUETS DE TERRE.**



- **DE NOMBREUSES LOCALITÉS INTERDISENT DE CREUSER SANS PRÉAVIS. COMMUNIQUEZ AVEC LES AUTORITÉS LOCALES AVANT L'INSTALLATION.**



- **VEUILLEZ LIRE ET SUIVRE toutes les instructions avant de commencer l'installation.**



NOTE : LE CONTENU DES ENCEINTES SATELLITES OUTDOOR SAT 40 ET OUTDOOR SAT 60 NE COMPREND PAS LES OPTIONS DE MONTAGE. VOUS DEVEZ ACHETER LES OPTIONS DE MONTAGE SÉPARÉMENT.

Contenu de OUTDOOR SAT 40 et OUTDOOR SAT 60 :

- (1) Enceinte avec bras de montage
- (1) Couvert d'enceinte hors saison
- (2) Capuchons de câble remplis de silicone

Options de montage (vendues séparément) :

- Piquet de terre
- Montage en surface
- Boîte de raccordement souterraine

Outils nécessaires :

- Pelle
- Pincés à dénuder
- Tournevis Phillips
- Clé à molette

Alimentation

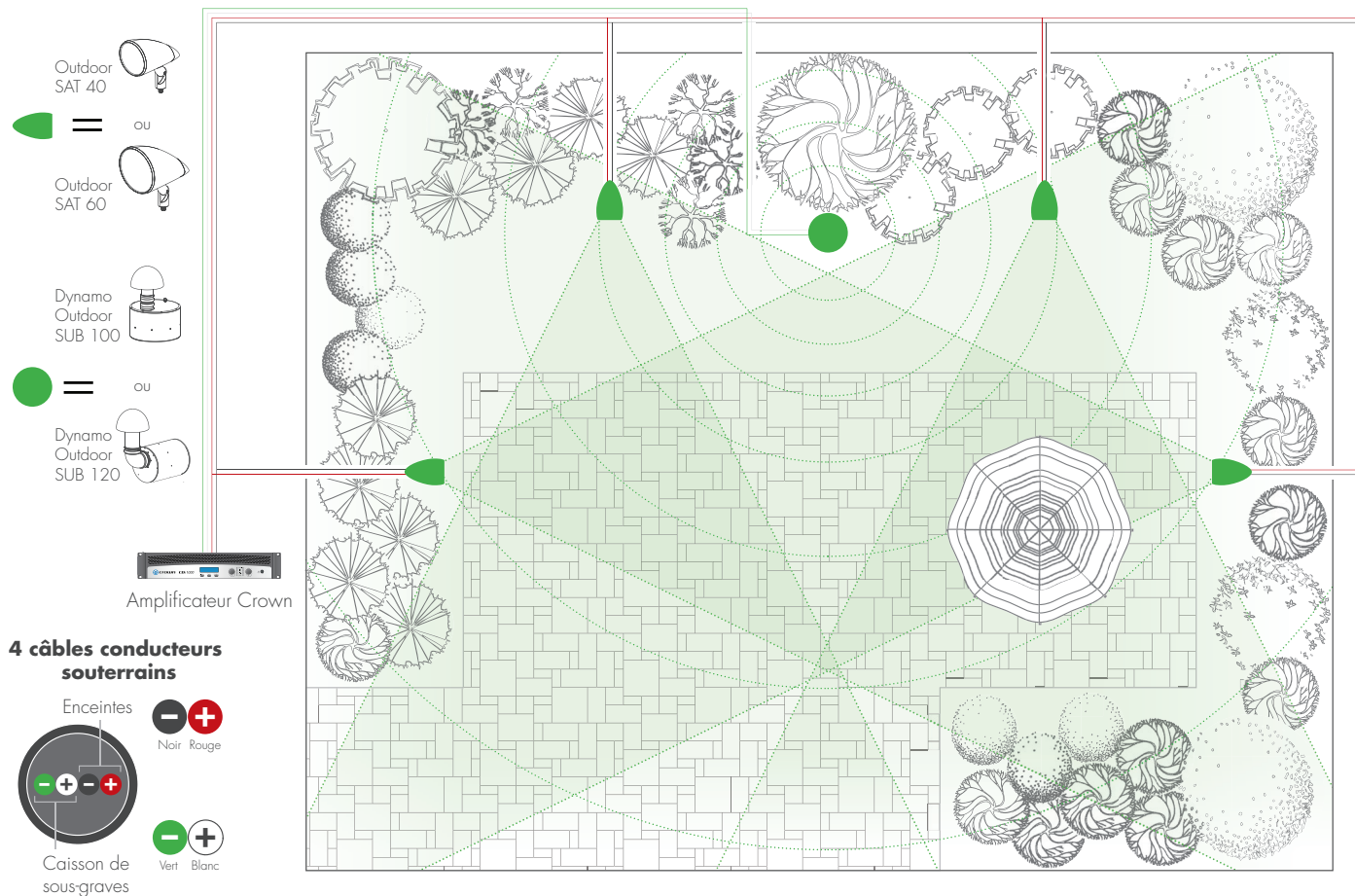
- Amplificateur Crown CDi 1000

Les enceintes OUTDOOR SAT 40 et OUTDOOR SAT 60 de MartinLogan sont des enceintes passives. Ces enceintes sont optimisées pour une utilisation avec l'amplificateur Crown CDi 1000 qui est peut être programmé avec des paramètres DSP sur mesure pour différents scénarios d'installation d'enceintes/caissons de sous-graves. Voir « *Tableau des paramètres audio* » à la page 15.

Des amplificateurs 8 ohms peuvent également être utilisés avec le système MartinLogan Outdoor Living; toutefois, ils ne seront pas capables d'exécuter les pré-réglages MartinLogan DSP exclusifs disponibles avec l'amplificateur Crown. Si vous utilisez les enceintes et le caisson de sous-graves avec un amplificateur 8 ohms, nous recommandons ce qui suit. **Enceintes satellites :** raccordez uniquement une enceinte par canal d'amplificateur et réglez la touche (tap) sur chaque enceinte au réglage 8 ohms. Remarque : ne raccordez pas plus d'une enceinte satellite par canal d'amplificateur en mode 8 ohms. **Caisson de sous-graves :** raccordez uniquement un caisson de sous-graves par canal d'amplificateur.

PLANIFICATION DE L'INSTALLATION

- Déterminez les emplacements et le positionnement du ou des caissons de sous-graves et des enceintes satellites. Distribuez uniformément les enceintes et le ou les caissons de sous-graves dans l'espace.
- Creusez la tranchée en fonction des enceintes et des accessoires à installer.
- La tranchée doit avoir une profondeur de 6 à 8 po.
- Si vous utilisez l'amplificateur Crown CDi 1000 avec les MartinLogan Outdoor Living, vous pouvez utiliser :
 - o 1 à 3 caissons de sous-graves sur le canal 1 de l'amplificateur
 - o 1 à 100 enceintes satellites sur le canal 1 ou le canal 2 de l'amplificateur si vous utilisez 70 V
 - o 1 à 4 enceintes satellites sur le canal 1 ou le canal 2 de l'amplificateur si vous utilisez 8 Ohms.



QUANTITY RECOMMENDATIONS

TABLEAU D'UTILISATION

Produit	Utiliser 1x par
SAT 40 ou SAT 60	250 à 500 Pieds carrés
SUB 100 ou SUB 120	1000 à 2000 Pieds carrés

RECOMMANDATIONS EN MATIÈRE DE CÂBLES

Nous vous recommandons fortement d'utiliser un câble de type souterrain (non compris) lorsque vous installez tout caisson de sous-graves de la série Outdoor Living. De plus, il est essentiel d'utiliser le bon calibre de câble d'enceinte. Veuillez consulter le tableau ci-dessous.

Nous ne recommandons pas d'utiliser des câbles de calibre élevé, car le rendement pourrait être compromis.

TABLEAU DE CALIBRE DE CÂBLE

Longueur totale du câble	70 volts	8 ohms
0 à 100 pieds (0 à 30 mètres)	Calibre 18 ou plus bas	Calibre 14 ou plus bas
100 pieds et plus (30 mètres et plus)	Calibre 16 ou plus bas	Calibre 12 ou plus bas

FACTEURS LIÉS À L'INSTALLATION

Vous devez examiner certains facteurs avant de commencer à creuser une tranchée :

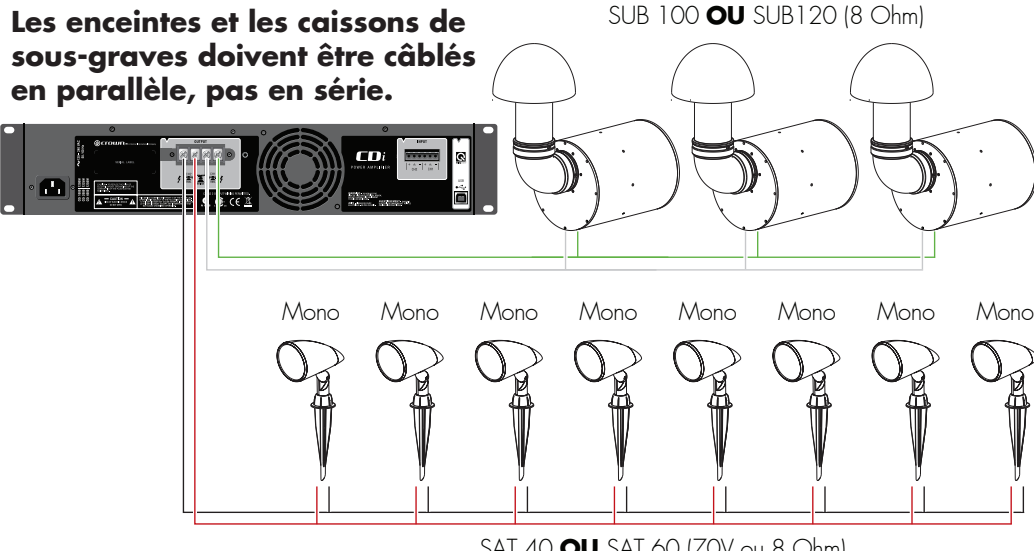
- Assurez-vous que TOUTES les enceintes sont testées avant l'installation.
- Assurez-vous que la zone envisagée est facilement accessible et qu'elle n'est pas exposée aux inondations, à

l'eau stagnante, ou que la zone n'est pas un endroit où les enceintes peuvent être endommagées, écrasées ou frappées.

- Réfléchissez au design de la cour et à l'aménagement paysager général en lien avec la zone d'écoute.

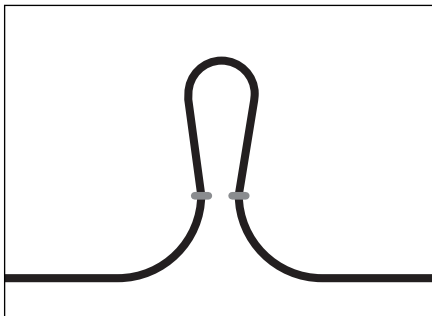
INSTALLATION DES CÂBLES ET DES ENCEINTES

Configuration mono à l'aide de 4 câbles conducteurs souterrains et d'un amplificateur Crown

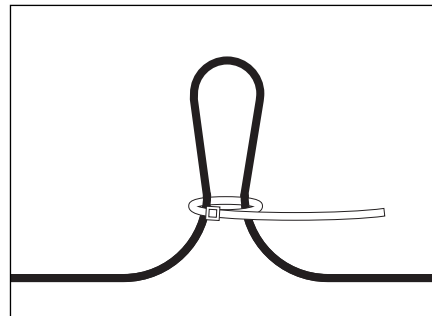


Préparation des 4 câbles conducteurs souterrains

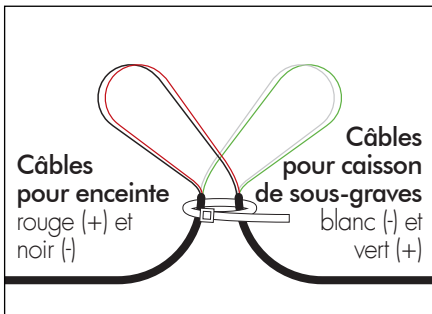
1. En commençant par la première enceinte et chaque enceinte/caisson qui vient après, créez une boucle d'une longueur d'environ 6 po.



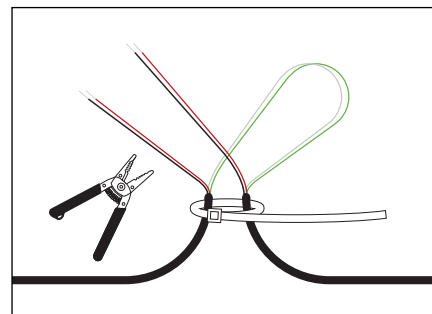
2. Recommandé : Utilisez un serre-câble (non compris) pour garder la boucle de câble intacte et en tant que réducteur de tension.



3. Utilisez une pince à dénuder ronde pour enlever la gaine de câble protectrice extérieure pour exposer les quatre câbles à code de couleur. Séparez les boucles de câble comme illustré.



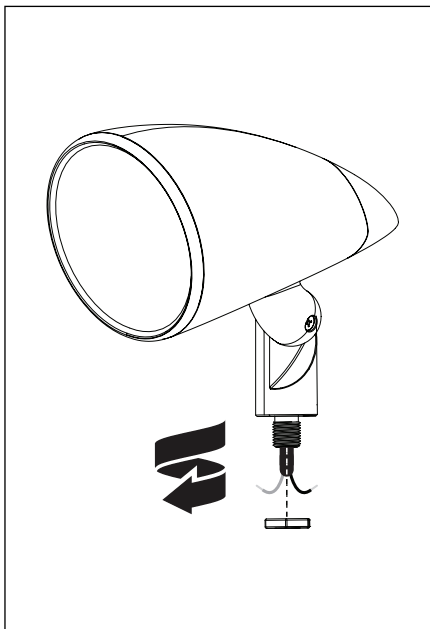
4. Coupez les câbles rouge (+) et noir (-) avec la pince à dénuder et enlevez un pouce (25,4 mm) d'isolation des extrémités afin d'exposer le conducteur en cuivre.



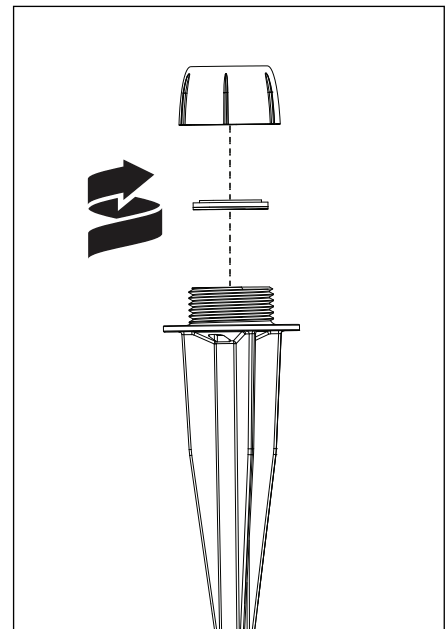
INSTALLATION DES CÂBLES ET DES ENCEINTES (SUITE)

Installation d'accessoire de piquet de terre et fixation des enceintes

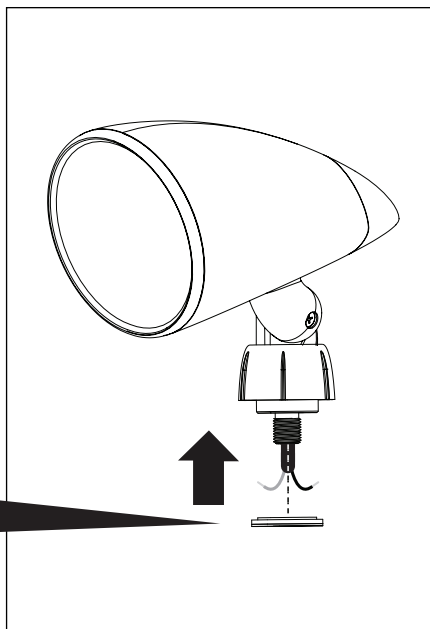
1. Enlevez l'écrou de l'extrémité fileté du bras d'enceinte.



2. Enlevez le capuchon dévissable et la rondelle d'étanchéité en aluminium du piquet de terre.

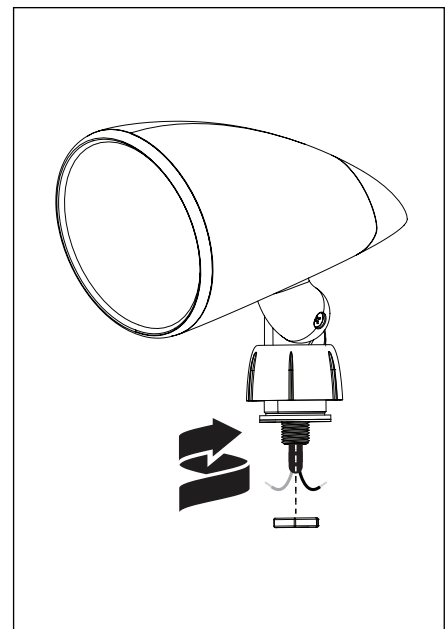


3. Glissez la rondelle d'étanchéité en aluminium (du piquet de terre) sur l'extrémité fileté du bras de l'enceinte.



IMPORTANT! La face de la rondelle en aluminium avec le petit joint en caoutchouc doit être orientée vers le haut.

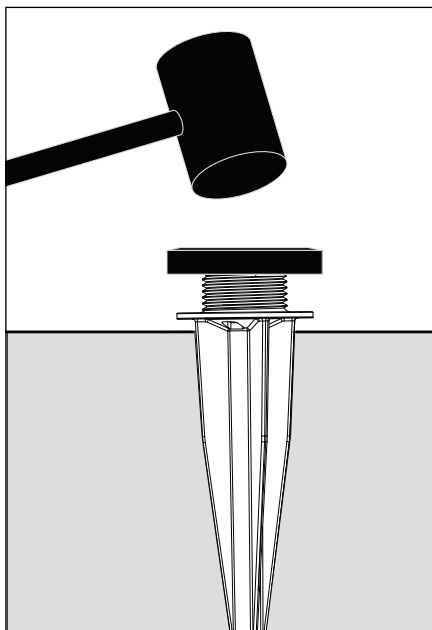
4. À l'aide d'une clé, filetez et serrez fermement l'écrou (enlevez à l'étape 1) sur l'extrémité fileté du bras de l'enceinte.



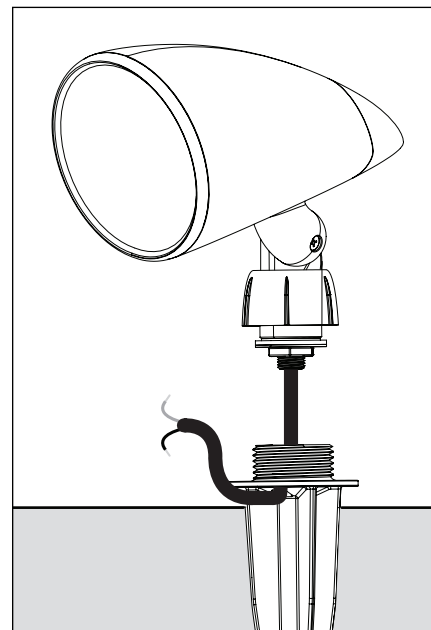
5. À l'aide d'un maillet et d'un bloc de bois, enfoncez le piquet de terre dans le sol. Enfoncez le piquet de terre aussi loin que possible, jusqu'à ce que la bride du piquet soit pratiquement égale à la surface.

Remarque :

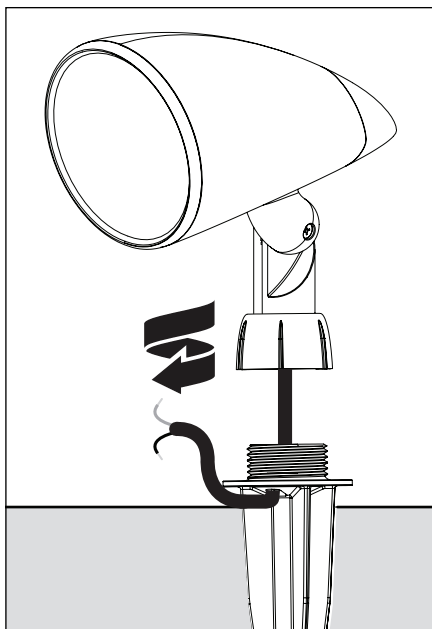
Laissez un espace entre la bride du piquet de terre et la surface du sol afin de pouvoir fileter le câble d'enceinte par le trou de câblage du piquet de terre.



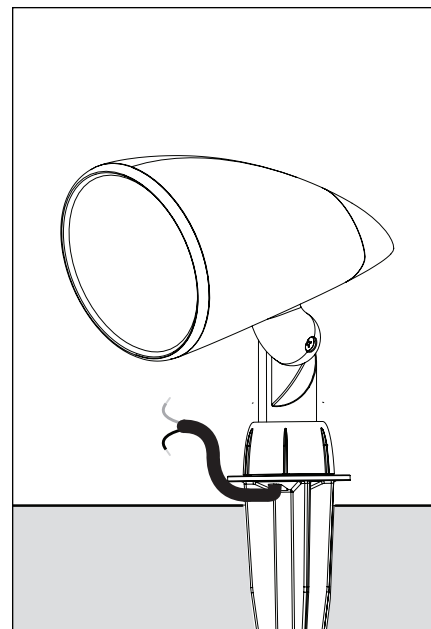
6. Filetez le câble d'enceinte dans le trou de câblage du piquet de terre.



7. Pour fixer l'enceinte dans le piquet de terre, filetez à la main le capuchon dévissable sur le piquet de terre.



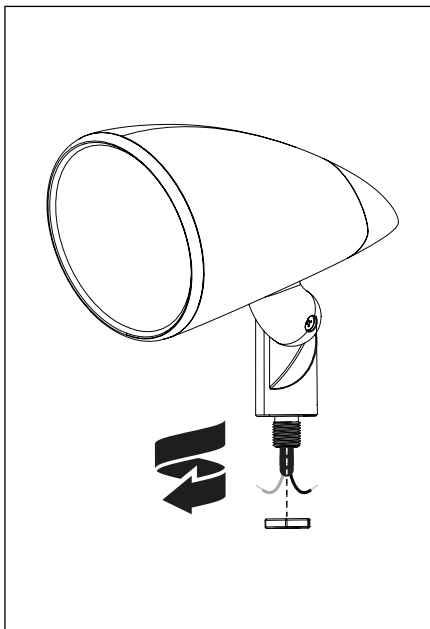
8. L'enceinte est maintenant montée sur le piquet de terre. La prochaine étape est le câblage; allez à la section « Câblage » pour obtenir des instructions.



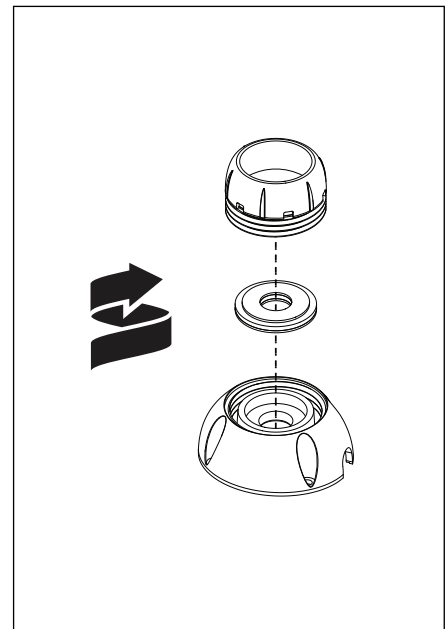
INSTALLATION DES CÂBLES ET DES ENCEINTES (SUITE)

Installation d'accessoire de montage en surface et fixation des enceintes

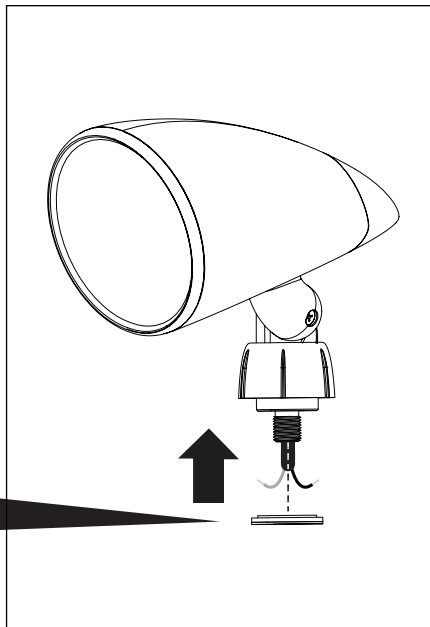
1. Enlevez l'écrou de l'extrémité fileté du bras d'enceinte.



2. Enlevez le capuchon dévissable et la rondelle d'étanchéité en aluminium du piquet de terre.

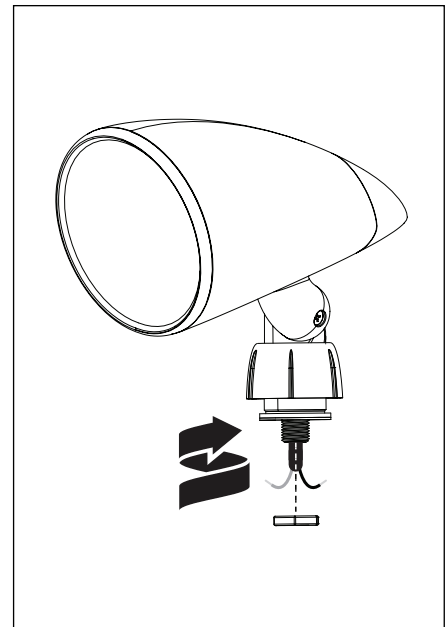


3. Glissez le capuchon dévissable sur le bras de l'enceinte, puis glissez la rondelle d'étanchéité en aluminium (du piquet de terre) sur l'extrémité fileté du bras de l'enceinte.

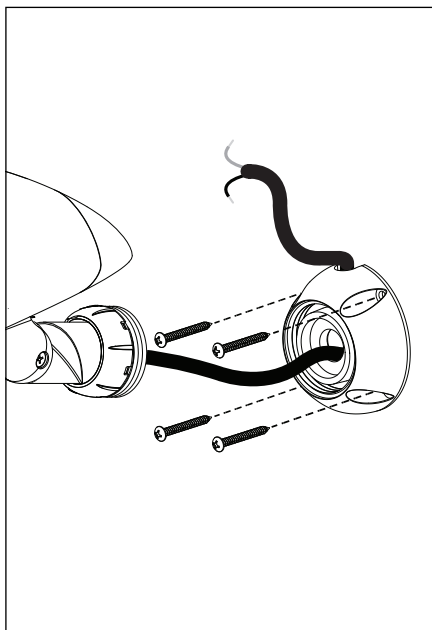


IMPORTANT! La face de la rondelle en aluminium avec le petit joint en caoutchouc doit être orientée vers le haut.

4. À l'aide d'une clé, filetez et serrez fermement l'écrou (enlevez à l'étape 1) sur l'extrémité fileté du bras de l'enceinte.



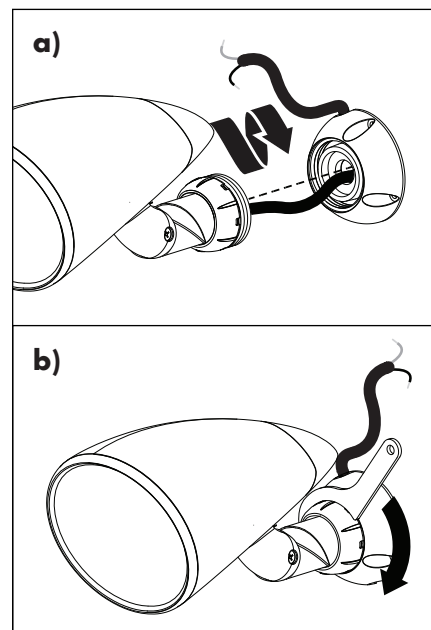
5. Filetez le câble d'enceinte dans le trou du centre et sortez-le par l'ouverture de câble sur la base du montage de surface. Placez la base du montage de surface à égalité sur la surface sur laquelle vous souhaitez installer l'enceinte. Pour fixer la base du montage de surface à



la surface, utilisez les vis appropriées (non comprises) pour votre installation. Pour obtenir des spécifications sur les vis, consultez votre revendeur.

Remarque : Pour une installation avec montage au mur où une connexion par câble est comprise dans la base du montage de surface, veuillez suivre ces instructions. Il est recommandé que le câble d'enceinte soit coupé court, et la gaine du câble doit être enlevée pour exposer les câbles rouge (+) et noir (-). Suivez les tapes a-b, mais ne fixez pas l'enceinte montée sur la base du montage de surface avant d'avoir fait les connexions de câble avec les capuchons de câble qui couvrent les connexions de câble exposées. Les connexions de câble avec les capuchons de câble doivent être insérées dans la base du montage de surface avant la fixation sur la surface désirée avec les vis appropriées (non comprises) pour votre installation. Pour obtenir des spécifications sur les vis, consultez votre revendeur.

6. Pour fixer l'enceinte à la base du montage de surface :
- a)** Premièrement, filetez le bouchon dévissable à la main sur la base du montage de surface.
- b)** Maintenant, serrez fermement le capuchon dévissable avec la clé fournie.

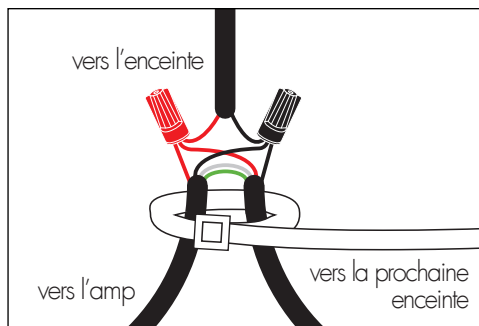


Pour les instructions concernant le câblage, consultez la section « Raccordement entre l'enceinte et le câble souterrain » à la page 11.

INSTALLATION DES CÂBLES ET DES ENCEINTES (SUITE)

Raccordement entre l'enceinte et le câble souterrain

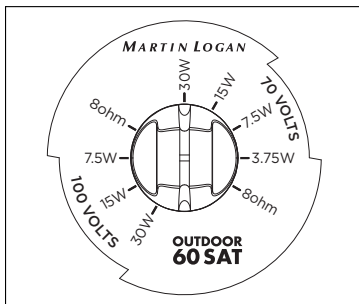
Combinez et tournez (sens horaire) les câbles rouges (comme illustré dans le diagramme) de l'amplificateur, de l'enceinte et vers la prochaine enceinte. Sécurisez ces trois câbles à l'aide des capuchons de câble remplis de silicone; répétez la procédure pour les câbles noirs.



Remarque : vous pourriez devoir couper une certaine partie du câble d'enceinte qui dépasse de l'enceinte pour obtenir une longueur plus facile à gérer.

ORIENTATION ET PARAMÈTRES DES ENCEINTES

1. Orientez l'enceinte en desserrant la vis dans le bras de l'enceinte et en la resserrant une fois l'orientation souhaitée obtenue.
2. **Réglez le cadran sur chaque enceinte satellite dans votre système.** Pour accéder au cadran, enlevez le couvercle arrière de votre enceinte satellite en tournant un quart de tour dans le sens antihoraire. À présent, enlevez le couvercle du boîtier du satellite. Réglez le cadran afin qu'il corresponde au nombre d'enceintes satellites et de caissons de sous-graves dans l'installation (voir « Tableau des réglages audio » à la page 15 »).



BOÎTE DE RACCORDEMENT SOUTERRAINE FACULTATIVE

En suivant, les mêmes instructions que celles décrites pour le piquet de terre ou pour le montage en surface, la boîte de raccordement souterraine de la série Outdoor Living peut être substituée. Défoncez les trous dans la boîte de raccordement souterraine, au besoin. Le conduit est vendu séparément.

Comprend :

- (1) Boîte de raccordement souterraine
- (1) Poteau de montage en deux pièces
- (8) Vis en acier inoxydable
- (4) Piquets de terre

Outils recommandés :

- Perceuse
- Colle à PVC – pour les conduits ou les raccords en PVC
- Mastic au silicone
- Pelle
- Marteau
- Tournevis Phillips no 2
- Clé à molette

Instructions d'installation

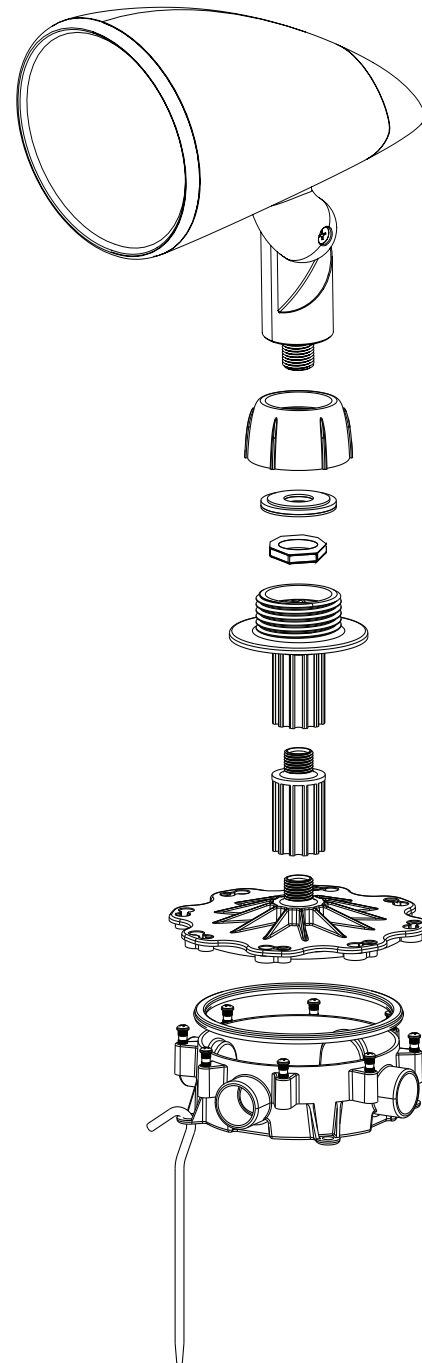


***IMPORTANT!** Testez votre système avant de coller ou de calfeutrer la boîte de raccordement souterraine ou tout raccord de conduit de tuyauterie. Utilisez du mastic de silicone pour sceller toutes les ouvertures utilisées pour les câbles. Laissez sécher le mastic et la colle entièrement avant d'enterrer la boîte de raccordement souterraine.

OPTION 1 : Installation avec conduit en PVC –

Défoncez les ouvertures du conduit à utiliser. Collez le tuyau du conduit sur la boîte de raccordement souterraine. Passez le câble dans le conduit et tirez au moins 8 pouces de câble dans la cavité de la boîte.

Remarque : Les ouvertures de boîte de raccordement souterraine ont un diamètre de 3/4 po. D'autres tailles de tuyauterie de conduite peuvent être utilisées avec des adaptateurs.



BOÎTE DE RACCORDEMENT SOUTERRAINE FACULTATIVE (SUITE)

OPTION 2 : Installation avec câbles souterrains

– Percez un trou dans le centre de la pièce à défoncer, un petit peu plus grand que le câble. Passez le câble et tirez au moins 8 pouces de câble dans la cavité de la boîte. Scellez entièrement l'entrée avec du silicone.

Placez les boîtes souterraines dans leur emplacement approprié dans la tranchée, en vous assurant d'une profondeur minimale de 6 pouces.

3. Installez l'enceinte satellite sur le couvercle de la boîte de conduit souterraine, à l'aide du poteau en deux pièces. Utilisez du silicone dans les filetages pour accroître le scellage de la boîte de conduit souterraine contre l'humidité.
4. Utilisez les écrous de câble à l'épreuve de l'eau compris avec l'enceinte pour terminer les raccords de câble. Tournez l'écrou de câble à la main dans le sens horaire, jusqu'à ce qu'ils soient serrés.

5. La boîte peut maintenant être fermée. Un joint à l'épreuve de l'eau est fixé sur le couvercle, mais pour obtenir une protection accrue contre l'infiltration d'eau, appliquez du silicone sur le rebord intérieur du couvercle où il entre en contact avec la boîte, puis assemblez la boîte à l'aide des 8 vis. Serrez les vis fermement à la main, puis avec un tournevis no 2.

6. Ancrez la boîte de raccordement souterraine dans le trou à l'aide des 4 piquets fournis. Installez toutes les enceintes et testez le système avant d'enterrer les boîtes et les câbles.

7. À l'aide d'un tournevis, ajustez l'angle et la position de l'enceinte.

**Voir l'avis « Important! » à la page précédente.*

TESTER LE SYSTÈME

Une fois que tous les raccordements des enceintes satellites et des caissons de sous-graves sont terminés, raccordez les câbles à votre récepteur ou amplificateur.

IMPORTANT! Assurez-vous de ne pas laisser aucun brin de câble + et - se toucher. Les brins de câble qui se touchent causeront un court-circuit qui peut endommager votre amplificateur.

Allumez votre récepteur/amplificateur et testez le système avec votre musique favorite. Si les enceintes fonctionnent adéquatement, remplissez la tranchée et profitez de vos nouvelles enceintes.

POUR ÉVITER LES DOMMAGES AUX ENCEINTES

Ne vous laissez pas avoir par la commande de volume de votre amplificateur. Elle ajuste le niveau d'écoute – elle n'indique pas la puissance de sortie. Si vos enceintes commencent à produire un son dur ou râpeux, ou si les graves se brisent, baissez immédiatement le volume afin de ne pas endommager les enceintes! Ce type de dommage constitue une utilisation abusive et n'est pas couvert par la garantie.

Les commandes de ton et les égalisateurs peuvent demander encore plus de puissance d'un amplificateur, ce qui abaisse le point auquel il produit une distorsion d'écrêtage. Utilisez-les avec parcimonie, si vous les utilisez, et ne les utilisez pas lors d'une écoute à des niveaux élevés.

ÉCOUTE À L'EXTÉRIEUR

À l'extérieur, il n'y a pas de murs pour contenir le son. Les bruits de fond sont plus forts et habituellement, les auditeurs sont plus loin des enceintes. Il peut être plus difficile d'obtenir un niveau d'écoute raisonnable. Les gens ont tendance à monter le volume; toutefois, cela peut déranger les voisins, et lorsque le volume est trop haut, cela peut endommager les enceintes ou l'amplificateur.

La solution? Dans les zones plus grandes, nous recommandons d'utiliser plusieurs enceintes de la MartinLogan Gardent Oasis.

L'utilisation de plusieurs enceintes permet de s'assurer que le son est distribué uniformément, ce qui permet des niveaux d'écoute raisonnables à des volumes plus bas. La demande sur l'amplificateur est diminuée et les voisins ne sont pas dérangés. Voyez les choses de la façon suivante : lorsque vous éclairez une grande zone extérieure, l'utilisation de projecteurs avec un gradateur à un réglage bas est beaucoup plus efficace que l'utilisation d'un seul projecteur avec un gradateur à un réglage trop élevé.

COUVERCLE D'ENCEINTE HORS SAISON

Pendant la basse saison, lorsque les enceintes ne sont pas utilisées pendant une période prolongée, vous pouvez couvrir les enceintes à l'aide du couvercle fourni. Ce couvercle respire, tout en protégeant votre enceinte des intempéries.

TABLEAU DES PARAMÈTRES AUDIO

INSTALLATION DE GRAND SYSTÈME (SUBS de 8 ohms avec SATS de 70 volts)

	CANAL 1 SUR AMP CROWN	CANAL 2 SUR AMP CROWN	NOM PRÉRÉGLÉ SUR AMP CROWN	SORTIE SUR AMP CROWN	RÉGLAGES POUR CAISSONS DE SOUS-GRAVES ET ENCEINTES MARTINLOGAN
Amplificateur Crown Cdi 1000	Produit MartinLogan raccordé au canal 1 de l'amp	Produit MartinLogan raccordé au canal 2 de l'amp	Réglez l'amplificateur Crown Cdi au pré réglage	Signal d'amplificateur fourni aux enceintes	OUTDOOR SUB 100 ou 120
Canal amp 1 : Caissons de sous-graves OUTDOOR SUB plus Canal amp 2 : Enceintes OUTDOOR SAT	SUB 100	SAT 40	40SAT100	Canal 1 de l'amp: 8 ohms	Canal 1 de l'amp: 1 à 3 caissons de sous-graves (caisson toujours à 8 ohms)*
	SUB 100	SAT 60	60SAT100		
	SUB 120	SAT 40	40SAT120	Canal 1 de l'amp: 70 volts	OUTDOOR SAT 40 ou 60
	SUB 120	SAT 60	60SAT120		
Canaux 1 et 2 de l'amp: Enceinte(s) OUTDOOR SAT	SAT 40 (mono)	SAT 40 (mono)	40SAT_MO	Canal 1 de l'amp: 70 volts	Canal d'amp 1 ou 2 : 1 à 12 enceintes* 70 VOLTS / 30W (ou moins)
	SAT 60 (mono)	SAT 60 (mono)	60SAT_MO		
	SAT 40 (stéréo)**	SAT 40 (stéréo)**	40SAT_ST	Canal 1 de l'amp: 70 volts	Canal d'amp 1 ou 2 : 13 à 24 enceintes* 70 VOLTS / 15W (ou moins)
	SAT 60 (stéréo)**	SAT 60 (stéréo)**	60SAT_ST		
					Canal d'amp 1 ou 2 : 25 à 49 enceintes* 70 VOLTS / 7,5W (ou moins)
					Canal d'amp 1 ou 2 : 50 à 100 enceintes* 70 VOLTS / 3,8W (ou moins)

* Le fait d'utiliser un grand nombre d'enceintes par canal d'amplificateur entraînera un volume du système plus bas en général. Les grands systèmes pourraient bénéficier de plusieurs amplificateurs.

** Le harnais de câblage fourni avec l'amplificateur Crown Cdi 1000 de MartinLogan est configuré en mono. Pour convertir ce harnais de câblage en mode stéréo, coupez le fil bleu sur le harnais.

INSTALLATION DE SYSTÈME COMPACT (SUBS de 8 ohms avec SATS de 8 ohms)

	CANAL 1 SUR AMP CROWN	CANAL 2 SUR AMP CROWN	NOM PRÉRÉGLÉ SUR AMP CROWN	SORTIE SUR AMP CROWN	RÉGLAGES POUR CAISSONS DE SOUS-GRAVES ET ENCEINTES MARTINLOGAN
Amplificateur Crown Cdi 1000	Produit MartinLogan raccordé au canal 1 de l'amp	Produit MartinLogan raccordé au canal 2 de l'amp	Réglez l'amplificateur Crown Cdi au pré réglage	Signal d'amplificateur fourni aux enceintes	OUTDOOR SUB 100 ou 120
Canal amp 1 : Caissons de sous-graves OUTDOOR SUB plus Canal amp 2 : Enceintes OUTDOOR SAT	SUB 100	SAT 40	840ST100	Canal 1 de l'amp: 8 ohms	Canal 1 de l'amp: 1 à 3 caissons de sous-graves (caisson toujours à 8 ohms)*
	SUB 100	SAT 60	860ST100		
	SUB 120	SAT 40	840ST120	Canal 1 de l'amp: 8 ohms	OUTDOOR SAT 40 ou 60
	SUB 120	SAT 60	860ST120		
Canaux 1 et 2 de l'amp: Enceinte(s) OUTDOOR SAT	SAT 40 (mono)	SAT 40 (mono)	840STMO	Canal 1 de l'amp: 8 ohms	Canal d'amp 1 ou 4 : 1 à 4 enceintes* 8ohm
	SAT 60 (mono)	SAT 60 (mono)	860STMO		
	SAT 40 (stéréo)**	SAT 40 (stéréo)**	840SATST	Canal 1 de l'amp: 8 ohms	
	SAT 60 (stéréo)**	SAT 60 (stéréo)**	860SATST		

* Le fait d'utiliser un grand nombre d'enceintes par canal d'amplificateur entraînera un volume du système plus bas en général. Les grands systèmes pourraient bénéficier de plusieurs amplificateurs.

** Le harnais de câblage fourni avec l'amplificateur Crown Cdi 1000 de MartinLogan est configuré en mono. Pour convertir ce harnais de câblage en mode stéréo, coupez le fil bleu sur le harnais.

GARANTIE

MartinLogan offre l'enregistrement en ligne à la garantie à l'adresse www.martinlogan.com.

Vos enceintes sont vendues avec une garantie limitée automatique de 90 jours.

Vous avez la possibilité d'obtenir, sans frais supplémentaires, une garantie limitée de trois ans. Pour obtenir la garantie limitée de trois ans, enregistrez vos enceintes à l'adresse www.martinlogan.com. Veuillez conserver une copie du reçu du revendeur, car on pourrait vous le demander pour effectuer les réparations.

MartinLogan pourrait ne pas honorer les réclamations de service au titre de la garantie à moins d'avoir une carte d'enregistrement à la garantie dûment remplie à l'adresse www.martinlogan.com!

SERVICE

Si vous utilisez votre produit MartinLogan dans un pays autre que celui où il a été acheté à l'origine, nous vous demandons de noter ce qui suit :

1. Le distributeur MartinLogan désigné pour tout pays donné est responsable du service au titre de la garantie uniquement pour les appareils distribués par ce pays ou par l'entremise de celui-ci conformément à sa garantie applicable.
2. Si un produit MartinLogan doit faire l'objet de réparations (service) dans un pays autre que celui où il a été acheté à l'origine, l'utilisateur final peut faire réparer le produit chez le distributeur MartinLogan le plus proche, sous réserve des politiques de service locales de ce distributeur, mais tous les coûts des réparations (pièces, main-d'oeuvre et transport) seront assumés par le propriétaire du produit MartinLogan.
3. Si, après avoir possédé l'enceinte pendant six mois, vous déménagez dans un pays autre que celui où vous avez acheté l'enceinte, votre garantie peut être transférable. Communiquez avec MartinLogan pour obtenir tous les détails.

SPÉCIFICATIONS

	OUTDOOR SAT 40	OUTDOOR SAT 60
Réponse de fréquence	120 à 20 000 Hz \pm 3dB	90 à 20 000 Hz \pm 3dB
Puissance d'amplificateur recommandée	15 à 120 watts	15 à 120 watts
Amplificateur recommandé	Crown CDi 1000 (avec réglages DSP personnalisés MartinLogan)	Crown CDi 1000 (avec réglages DSP personnalisés MartinLogan)
Puissance d'entrée maximale.	60 watts	80 watts
Sensibilité – Outdoor	87 dB	92 dB
Sensibilité – anéchoïque	83 dB	88 dB
Impédance.	Compatible avec 8 ohms	Compatible avec 8 ohms
Répartiteur (crossover)	2 500 Hz	2 500 Hz
Haut-parleur de haute fréquence	Dôme en aluminium de 0,75 po (1,9cm) avec haut-parleur d'aigus refroidi au ferrofluide	Dôme en aluminium de 0,75 po (1,9cm) avec haut-parleur d'aigus refroidi au ferrofluide
Haut-parleur basse/moyenne fréquence	Cône en polypropylène rempli de matière minérale de 4 po (10 cm)	Cône en polypropylène rempli de matière minérale de 6 po (16 cm)
Commandes d'entrée	8 ohms, 70 volts (3,75W, 7,5W, 15W, ou 30W), 100 volts (7,5W, 15W, ou 30W)	8 ohms, 70 volts (3,75W, 7,5W, 15W, ou 30W), 100 volts (7,5W, 15W, ou 30W)
Ingress Protection Rating (indice de protection)	IP54	IP54
Dimensions	6 po (diamètre) x 10 po (profondeur) (15,2 cm x 25,4 cm)	8,3 po (diamètre) x 11,3 po (profondeur) (21 cm x 28,6 cm)
Poids	5 lb (2,3 kg)	6,5 lb (3 kg)
Accessoires (compris)	Couvert d'enceinte hors saison	Couvert d'enceinte hors saison

DESSINS DIMENSIONNELS

Les dessins dimensionnels détaillés de toute la série Outdoor Living peuvent être téléchargés sur le site Web MartinLogan.com.



Lawrence, Kansas, USA tél. 785.749.0133 téléc. 785.749.5320 www.martinlogan.com

©2017 MartinLogan Ltd. Tous droits réservés.

Rev. 001