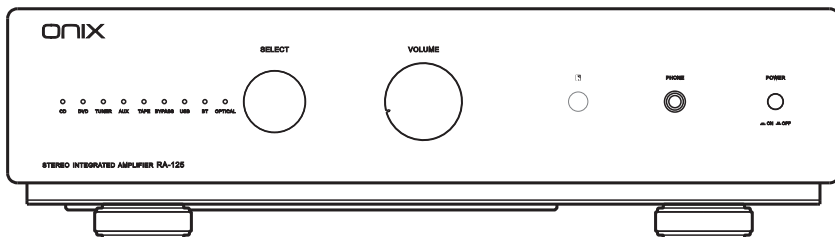


ONIX

OWNER'S MANUAL

RA-125

STEREO INTEGRATED AMPLIFIER



Dear Customer:

We thank you for purchasing this ONIX Stereo Integrated Amplifier. Please read all the safety and operating instructions before using the product. Retain the manual for future reference and adhere to all warnings in the manual or on the amplifier.

Notices for Use



CAUTION: RISK OF ELECTRIC SHOCK. DO NOT OPEN.



The lightning flash with an arrowhead symbol within an equilateral triangle is intended to alert the user to the presence of un-insulated dangerous voltage within the product's enclosure which may be of sufficient magnitude to constitute a risk of electric shock.



The exclamation point within an equilateral triangle is intended to alert the user to the presence of important operating and maintenance (servicing) instructions in the literature accompanying the product.

1. Do not open this device yourself to repair or modify it. You should never attempt to service the product beyond that described in this manual. All other servicing should be referred to qualified service personnel. Opening this device or attempting to carry out any modification without approval may affect the performance or quality of this device.
2. For good ventilation, a minimum of 10cm clearance shall be maintained at the back and two sides and 20cm at the top of the unit.
3. Allow no water dripping or splashing into the unit. Place no object containing liquid on the unit, e.g. Vase.
4. Do not cover any ventilation hole with newspaper, cloth, curtain, etc. in case of ventilation blocking.
5. Allow no exposed flame source on the unit, e.g. burning candle.
6. The unit shall be connected to AC power output socket with grounding protection.
7. If power plug and appliance coupler are used as disconnecting device, the disconnecting device shall be easily operable.
8. Any batteries requiring disposal must be handled in accordance with local regulations.
9. This device is intended for safe use in an area with elevation under 2000m. (Fig.1)
10. This device is intended for safe use under non-tropical climate conditions. (Fig.2)

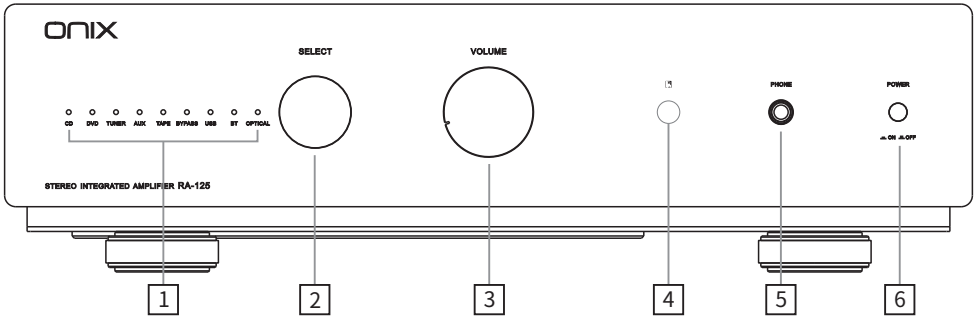


Fig.1

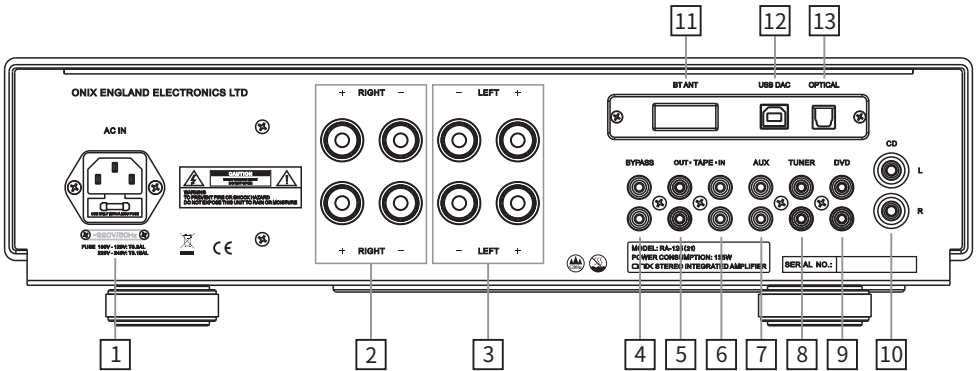


Fig.2

Parts Name



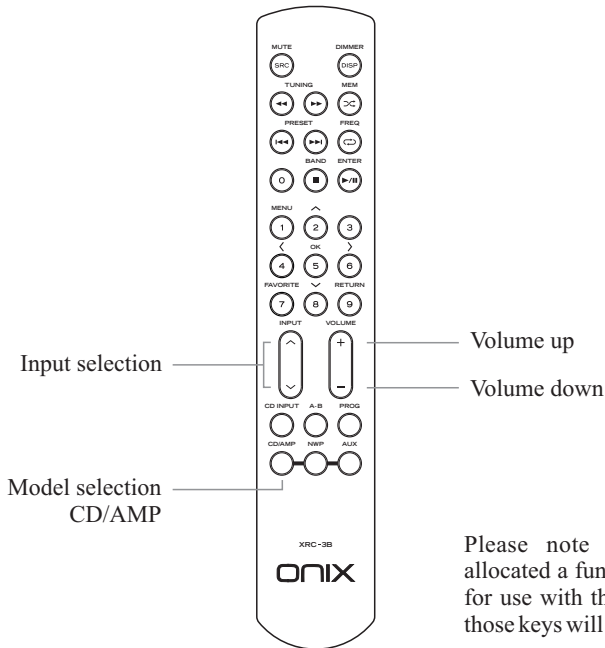
- | | | |
|---------------------------|-------------------|---------------------|
| 1. Signal input indicator | 3. Volume control | 5. Headphone output |
| 2. Input selector | 4. IR window | 6. Power switch |



- | | |
|-----------------------------------|-----------------------|
| 1. Power input socket with fuse | 8. TUNER input |
| 2. Right channel speaker terminal | 9. XLR input |
| 3. Left channel speaker terminal | 10. CD input |
| 4. BYPASS input | 11. Bluetooth antenna |
| 5. TAPE output | 12. USB DAC input |
| 6. TAPE input | 13. Optical input |
| 7. AUX input | |

Note: Before connecting “BYPASS” audio-in, turn the audio source volume to minimum to avoid damage to the speakers.

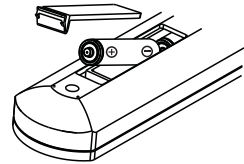
Remote Control Function



Please note that any key not allocated a function is not intended for use with this machine. Pressing those keys will have no response.

Install Batteries

1. Open the battery cover.
2. Insert 2 AAA batteries and check the positive and negative polarity of the batteries is correct.
3. Close the battery cover.



Operation Procedures

Preparation

1. Connect the power cable, signal cable and speaker input/output cables. Make sure speaker output is not short circuited and turn volume knob counterclockwise to its minimum.
2. Set the power switch **■** on the panel to ON and the signal input indicator will illuminate. In approximately 3 seconds the relay will close. Turn the volume control clockwise slowly to the desired position. The amplifier is now in normal operation mode.
3. To turn off the machine, first turn volume knob to min and then set power switch **■** to OFF.

4. If you do not intend to use the amplifier for a long time, please unplug the AC power cable.

Input switching

Turn the SELECT knob on the panel or press the INPUT \wedge / \vee keys on the remote control to switch to the desired audio input. The input indicator on the panel will be illuminated accordingly.

Volume adjustment

Use the VOLUME control on the front panel of the amplifier to adjust volume, counterclockwise for volume down and clockwise for volume up. Alternatively use VOLUME +/- keys on remote control.

Note: Before turning on the amplifier, check that the volume control is set to a low level in order not to damage the speakers.

Output protection

If the amplifier output is overloaded, a relay in the protection circuit will shut off immediately. Meanwhile all indicators on the front panel will be on and the volume knob will be dimmed. In such circumstances the amplifier power must be turned off. Wait for 5 minutes before turning on the amplifier again.

USB setting

1. Connect the USB cable from PC to the rear panel of the unit.
2. Turn on the unit and choose the USB source by turn the SELECT knob on the front panel or press the INPUT \wedge / \vee keys on the remote control.
3. Install the driver software into the PC from the “USB driver disc” .
4. Setup the “SOUND” option on the PC, set the “Speaker XMOS USB Audio” as the default device.

Bluetooth Input

1. Switch the source to the “BT” .
2. The RA-125 will automatically enter the pairing mode (the BT indicator is flashing).
3. Open the Bluetooth settings on mobile phone or tablet. Select the “ONIX RA-125(21)” from the list of available devices.
4. After two devices are connected, the BT indicator light will stay on. You can now play music over Bluetooth connection.

Troubleshooting

Fault	Possible causes	Solution
No power	Poor connection in socket or no utility.	Check power source and connect socket tightly.
No sound	Audio cable not connected. Volume knob is at min.	Re-connect audio cables. Adjust volume to preferred level
No remote control	Remote battery misplaced or depleted.	Reinstall or replace batteries.

Note: If the amplifier still exhibits a fault after checking the possible causes, please contact your local distributor or service centre. Return the machine to service centre if necessary.

Specifications

Input sensitivity	285mV/47k Ohms
Max output power	128W/8 Ohms
Frequency response	10Hz ~ 30kHz (-0.5dB)
Channel separation	>53dB
Total harmonic distortion	<0.003% (3W/8Ω)
Signal/noise ratio	>104dB (A, weighted)
USB maximum input specification	768kHz/32bit, DSD256
Bluetooth standard	Bluetooth 5.0
Power consumption	135W
Dimension (W×D×H)	430×401×119mm
Net weight	13.8kg

Accessories

Owner's manual
Power cable
Remote control
USB drive disc

敬爱的用户：

欢迎购买ONIX立体声综合扩大机，让我们借此机会向您表示诚挚的谢意。我们向您建议：在动手操作之前，请仔细阅读此使用说明书，并注意存放好以备随时参考。

使用注意事项



注意：为防电击，请勿打开机盖。



等边三角形中有箭头闪电符号的图形表示警告使用者在产品内有高压电，会导致人为的触电。



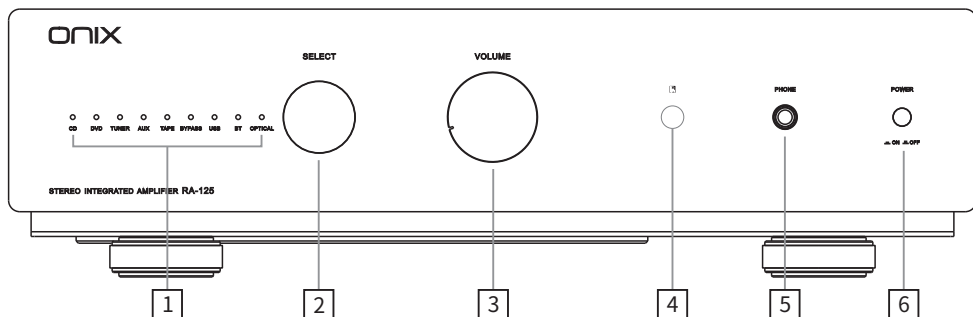
等边三角形中有叹号的图形表示警告使用者该设备有重要的操作和维护指示。

1. 不可自行开启本机进行维修或改造！本产品不设有用户自行检修的零件，本机的维修须请具备专业资格的人员进行。开启机器及随意改造内部电路会令检修人员难以维修本机，而且会对机器造成性能或质量的影响。
2. 为了充分通风，设备背面和两侧应最少保留10cm，顶部应最少保留20cm的空间。
3. 设备不应遭受水滴或水溅，机器上不应放置诸如花瓶一类的装满液体的物品。
4. 通风孔不要覆盖诸如报纸、桌布和窗帘等物品而妨碍通风。
5. 设备上不要放置裸露的火焰源，如点燃的蜡烛。
6. 设备应当连接到带保护接地连接的电网电源输出插座上。
7. 用电源插头和器具耦合器作为断开装置，断开装置应当保持能方便地操作。
8. 必须遵照电池废弃的相关地方条例来废弃旧电池。
9. 仅适用于海拔2000m以下地区安全使用，标志见图1。
10. 仅适用于非热带气候条件下安全使用，标志见图2。

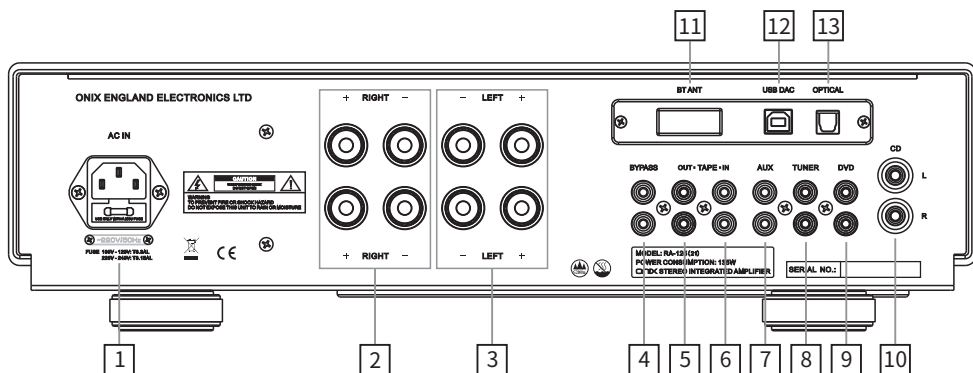
图1

图2

部件名称



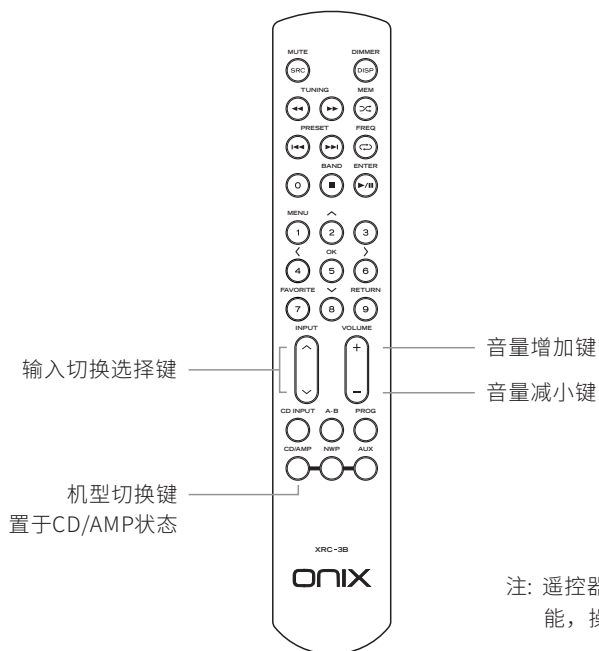
- | | | |
|-------------|-----------|-----------|
| 1. 信号输入指示灯 | 3. 音量调节旋钮 | 5. 耳机输出插座 |
| 2. 信号输入选择旋钮 | 4. 遥控接收窗口 | 6. 电源开关按键 |



- | | |
|-------------------|-------------------|
| 1. 带保险管电源输入插座 | 8. TUNER音频输入接口 |
| 2. 右声道音箱接线柱 | 9. DVD音频输入接口 |
| 3. 左声道音箱接线柱 | 10. CD音频输入接口 |
| 4. BYPASS直通音频输入接口 | 11. 蓝牙天线 |
| 5. TAPE音频输出接口 | 12. USB DAC信号输入接口 |
| 6. TAPE音频输入接口 | 13. 光纤信号输入接口 |
| 7. AUX音频输入接口 | |

注意：在接通“BYPASS”直通音频输入端之前，应把音频信号源的音量打到最小或适当的位置，以免烧毁扬声器。

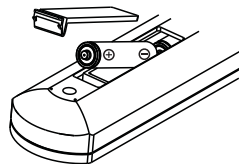
遥控器示意图



注：遥控器未标示按键非本机功能，操作无效属正常现象。

电池安装

1. 打开电池盖。
2. 装入两节七号电池，确认电池正负极安装正确。
3. 盖上电池盖。



操作说明

准备工作

1. 首先连接好机器的电源线、信号线及扬声器等输入输出线，确认扬声器输出线连接无短路，并将机器的音量旋钮逆时针旋到最小的位置。
2. 将面板电源开关置于〈ON〉状态，面板信号输入指示灯点亮。约3秒钟后继电器吸合，此时再将音量旋钮顺时针慢慢旋到音量合适位置，机器进入正常工作状态。

-
-
3. 要关闭本机电源时，先将音量旋钮关至最小位置，再将电源开关键置于〈**OFF**〉状态即可关闭本机电源。
 4. 若长时间不使用本机，请与机器连接的交流电源线插头拔下。

输入切换

旋动面板上的〈SELECT〉旋钮或按下遥控器上的〈INPUT ^/∨〉键可将音频切换到相对应的输入端口，面板上的输入状态指示灯也相应点亮。

音量调节

音量调节通过机器前面板上的〈VOLUME〉音量旋钮调节，逆时针方向旋转为减小音量，顺时针方向旋转为增大音量。也可使用遥控器上的〈VOLUME +/-〉键对机器音量进行调节。

注：每次开机时须先检查音量旋钮是否调得太大，以免烧坏音箱。

输出保护

当机器输出过载时，本机保护电路的继电器将立即断开，面板上的所有指示灯将同时闪亮并自动关小音量旋钮，此时须关闭机器电源，排除过载原因。等待约5分钟后，重新开机才能使机器正常工作。

USB设置

1. 将USB电缆从电脑连接到机器后板上。
2. 打开机器电源并旋动面板上的〈SELECT〉旋钮或按下遥控器上的〈INPUT ^/∨〉键，选择到对应的USB输入信号。
3. 将随机附带的“USB驱动光盘”安装到电脑上。
4. 将电脑的“声音”选项进行设置，并把“扬声器XMOS USB Audio”勾选为默认设备。

Bluetooth 输入

1. 将信号源切换到“BT”状态。
2. 此时本机蓝牙会一直处于可以被搜索状态(BT指示灯闪亮)，打开手机或iPad等搜索蓝牙设备。
3. 在搜索到的设备中选择“ONIX RA-125(21)”。
4. 设备连接好后(BT指示灯常亮)，使用播放软件播放音乐即可。

常见故障及排除

故障现象	可能的原因	处理办法
电源无法接通	电源插座接触不良或无电。	检查电源的来路，插紧插座。
无声音	音频电缆没接好。 音量旋钮调到最小。	正确连接音频电缆。 调节音量旋钮,使声音大小适当。
无遥控	遥控器的电池装反或耗尽。	重新安装电池或更换新电池。

注：如按以上方法还无法正常工作，请与当地经销商或维修点联络，必要时将机器送维修点检查。

技术规格

输入灵敏度	285mV/47k Ohms
最大输出功率	128W/8 Ohms
频率响应	10Hz-30kHz (-0.5dB)
声道分离度	>53dB
总谐波失真	<0.003% (3W/8Ω)
信噪比	>104dB (A计权)
USB最高输入规格	768kHz/32bit, DSD256
蓝牙标准	Bluetooth 5.0
消耗功率	135W
体积（宽×深×高）	430×401×119mm
净重	约 13.8kg

随机附件

说明书
电源线
遥控器
USB驱动光盘



ONIX ENGLAND ELECTRONICS LTD



Due to continuous improvement, every specification and design is subject to change at any time without further notice.
由于产品不断改进，各项规格及设计随时更改，恕不另行通知。