



## 5010 Mono Power Amplifier

### 1 Installation

5010 Mono Power Amplifier : Front View



1. Connect the mains cable to the IEC mains input socket.



2. Connect to the mains outlet on the wall. DO NOT switch on until all output connections are made.

### 2 Source Component Connections

5010 Mono Power Amplifier : Back View



**UNBALANCED/BALANCED BUTTON**

Push the unbalanced/balanced button to select the desired input.

**SPEAKER OUTPUT**

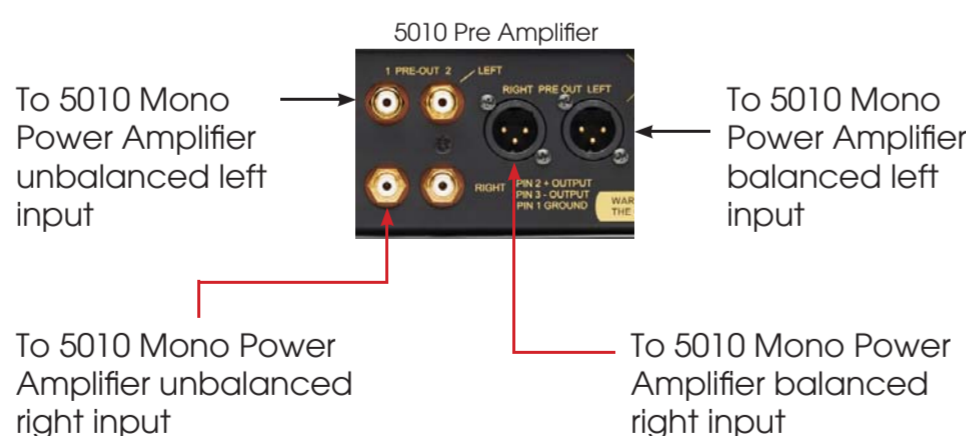
Connect the left and right loudspeakers to the corresponding left and right speaker outputs :

1. Connect the (+) terminal of the loudspeaker to the (+) terminal of the 5010 Mono Power Amplifier.
2. Connect the (-) terminal of the loudspeaker to the (-) terminal of the 5010 Mono Power Amplifier.

**INPUTS**

Connect the RCA phono input OR the balanced XLR input of the 5010 Mono Power Amplifier to the PRE-OUT sockets of the Pre Amplifier or Integrated Amplifier.

Ensure the left and right channels are connected appropriately, see diagram below:



### 3 Operation



1. Turn the Pre Amplifier or Integrated Amplifier volume control to minimum.



2. Press the power switch on. The LED power indicator will light up. The output relay will activate after a short delay.



3. Without playing any source, turn the volume control knob slowly clockwise to around 20%. You should only hear a faint hiss.



4. Turn the source selection knob for the desired input source, indicated by the LED.

Sound should now be heard when the input source is played.

### Quick Start Manual

Thank you for purchasing the Exposure 5010 Mono Power Amplifier [www.exposurehifi.com](http://www.exposurehifi.com)

### Contents & before you start

Please check the contents in the box:



5010 Mono Power Amplifier



Mains Cable

#### Before you start

Ensure your unit is switched off and that the volume control knob on the Pre Amplifier or Integrated Amplifier is at it's minimum.

Please note that your 5010 Mono Power Amplifier may take up to 48 hours to 'run-in' before reaching it's optimal performance. Each subsequent 'run-in' will then take about 20 minutes.



#### Loudspeaker Compatibility

Although the 5010 Mono Power Amplifier is able to drive almost any loudspeaker system, the best results will most likely be achieved with speakers rated at 8 Ohms. For loudspeakers rated below 4 Ohms please ensure adequate ventilation.

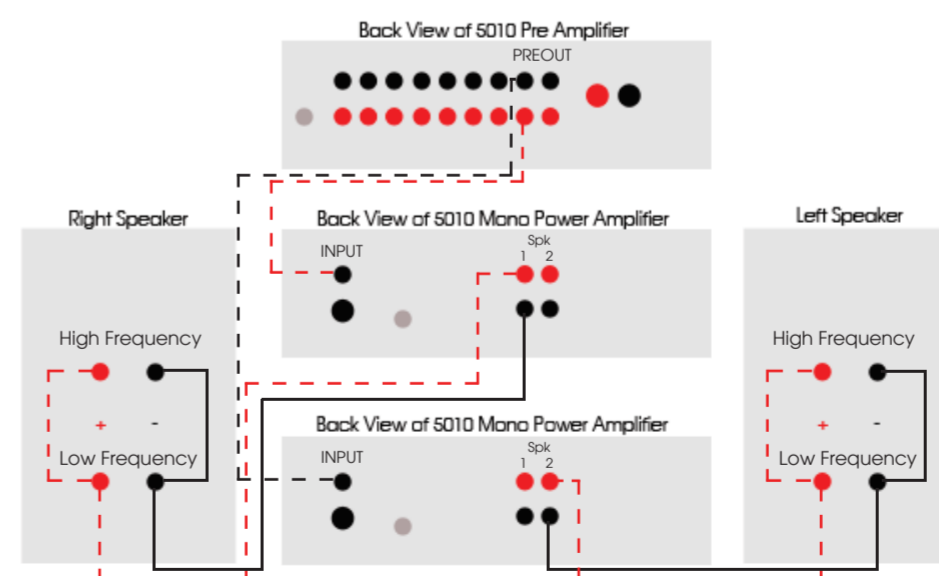
#### Speaker Cable Compatibility

While the 5010 Mono Power Amplifier is compatible with most types of loudspeaker cables, the type of cables used can influence the sonic performance of your system. Please ask your dealer for advice on loudspeaker cable compatibility and how to get the best from your 5010 Mono Power Amplifier.

Note : The 5010 Mono Power Amplifier is internally protected against damage from short circuits. However, no such protection is infallible, and damage may occur if positive and negative speaker cables are inadvertently connected together.

#### Bi-wiring

Bi-wiring may provide a useful gain in subjective performance. Should you choose this option, please refer to the "Extended Set-Up" section overleaf for detailed information.



Unbalanced connection is shown above. Only use the unbalanced OR the balanced inputs, DO NOT use both at the same time.

## Extended Set-Up

### Bi-Wiring

The 5010 Mono Power Amplifier is fitted with two sets of 4mm loudspeaker output sockets for bi-wired connection of loudspeakers. Another pair of speaker wires is required for each loudspeaker.

Ensure that the links at the speaker terminals between the high frequency and the low frequency are removed on both loudspeakers.

Please refer to the manufacturer of your loudspeakers for advice on the practicality and potential benefits of bi-wiring.

### Operational Modes

The 5010 Mono Power Amplifier can be operated in one of two different modes.

### Mono Mode

To operate in mono mode two separate 5010 Mono Power Amplifiers are required, one for each channel.

### Bi-amping Mode

An Integrated Amplifier can also be used as a Pre Amplifier for the 5010 Mono Power Amplifier.

The Power Amplifier section of the Integrated Amplifier will still be operational, and can be used in conjunction with the 5010 Mono Power Amplifier to provide bi-amping capabilities for suitable loudspeakers:

1. Check your loudspeaker user manual for the wiring connections.
2. Connect the PRE-OUT sockets of the Integrated Amplifier to the RCA Phono input sockets of the 5010 Mono Power Amplifier.

Your dealer or local distributor will be able to offer further advice.

## 4 Technical Specifications

Power Output	200 Watts into 8 Ohms 370 Watts into 4 Ohms
Input Impedance	75K ohms at 1KHz, unbalanced input
Frequency Response	-3dB at 52KHz, ref 1KHz, unbalanced input
Total Harmonic Distortion	1KHz <0.015% at 200W into 8 Ohms 1KHz <0.005% at 100W into 8 Ohms
Signal to Noise Ratio, Unbalanced Input	>120dB A weighted, ref 200W, 8 Ohms output >100dB A weighted, ref 1W, 8 Ohms output
Mains Supply	110/120V or 220/240V @ 50/60Hz (factory set)
Fuse	T10AL for 110/120V units T5AL for 220/240V units
Power Consumption	<800VA, 8 Ohms load
Dimensions (WxHxD)	440mm x 115mm x 300mm
Net Weight	14kg
Gross Weight	16kg

## 5 Safety

Incorrect installation or inappropriate use of the 5010 Mono Power Amplifier may result in injury due to electrical shock.

- Ensure that the voltage rating on the rear panel of this unit matches that of your local mains supply\*
  - Ensure that the mains cable and plug supplied with this unit are also correct. (Contact your dealer immediately if this is not the case).
  - This unit is protected by a mains fuse, which is accessible as part of the IEC socket on the rear panel.
  - Fuse replacement specifications:  
110/120V units T10AL fuse  
220/240V units T5AL fuse
  - Protect the unit against all forms of liquid. Never expose the unit to dripping or splashing, or place objects filled with water; such as vases, on the unit.
  - Unplug the unit from the mains when not in use for prolonged periods.
  - Do not open this unit - there are NO user serviceable parts inside.
  - Set the volume control to minimum before turning this unit on or off.
  - Ensure that this unit is switched off when connecting or disconnecting speaker and interconnect cables.
- \* Contact your Exposure dealer or distributor for advice on moving your equipment to another country or territory.

## 6 Caution

For a long and trouble-free life of your 5010 Mono Power Amplifier, please ensure the following:

- Do not short circuit the speaker terminals.
- Do not remove the cover of the unit or dismantle the case.
- Protect the unit against all forms of liquid. Never expose the unit to dripping or splashing, or place objects filled with water; such as vases, on the unit.
- Do not operate the unit in damp environments or allow liquids to enter the unit.
- Do not attempt to bypass the mains fuse or replace the fuse with one of a different specification.
- Do not place the unit in a position which restricts cooling airflow around its case.
- Do not use abrasive or solvent-based cleaning fluids on the unit's case.

**Failure to observe these precautionary measures may void your warranty.**

## 7 Warranty/Guarantee

1. The Exposure warranty entitles you to FREE repair of this unit for the first three (3) years from the date of purchase. This covers parts and labour but excludes carriage.
2. This warranty is valid only if the unit is purchased from an authorised Exposure dealer in your country of residence.
3. It is recommended to register the warranty using the form on our website:  
[www.exposurehifi.com/warranty](http://www.exposurehifi.com/warranty)
4. The distributor accepts no responsibility for defects arising from accident, misuse, abuse, wear and tear, neglect or through unauthorised adjustment and or repair or replacement of any components, nor will they accept responsibility for damage or loss occurred during transit to or from the person making a claim under warranty.
5. The Exposure warranty covers:
  - **Parts and labour costs for three (3) years from the date of purchase. It does not include carriage to or from the customer**Please retain your original receipt as proof of purchase and purchase date. The guarantee is extended only to the original purchaser and is not transferable.

### When making claims under this warranty:

1. The unit should be suitably packed and returned to the dealer from whom it was purchased, together with proof of purchase or a copy of the dated sales receipt. The customer should also include their address and daytime telephone number as well as a description of the fault.
2. If necessary the unit should be sent carriage pre-paid by a reputable carrier, NOT by post.
3. No responsibility is accepted for the unit whilst in transit to the dealer or distributor, and customers are advised to insure the unit against loss or damage whilst in transit.
4. The dealer receipt MUST be produced when making claims against this guarantee.
5. Any tampering or alteration made to the dealer receipt or to the serial number on the unit will invalidate the warranty.
6. The dealer or distributor shall notify the customer when the repairs have been completed. The customer must claim the goods within fourteen (14) days from the date of notice, failing which, the distributor reserves the right to impose storage charges.
7. The distributor reserves the right to dispose of the unit after ninety (90) days from the date of notice in a manner that it sees fit and without compensation to the customer.

## 8 Product Disposal Instructions



The symbol shown here and on the product means that the product is classed as electrical or electronic waste and should not be disposed of with other household waste at the end of its working life.

The Waste of Electrical and Electronic Equipment (WEEE) Directive (2002/96/EC) has been put in place to recycle products using the best available recovery and recycling techniques to minimise the impact on the environment, treat any hazardous substances and avoid increasing landfill.

When you have no further use for this product, please remove any batteries and dispose of them and the product as per your local authority's recycling process.

For more information please contact your local authority or the retailer where the product was purchased.

