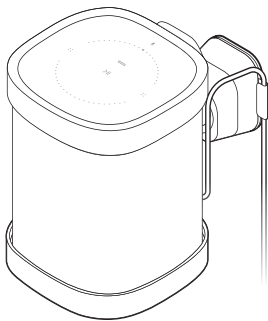


# SONOS



**Sonos Mount**  
**Quickstart Guide**

THIS DOCUMENT CONTAINS INFORMATION THAT IS SUBJECT TO CHANGE WITHOUT NOTICE.

No part of this publication may be reproduced or transmitted in any form or by any means, electronic or mechanical, including but not limited to photocopying, recording, information retrieval systems, or computer network without the written permission of Sonos, Inc.

SONOS and all other Sonos product names and slogans are trademarks or registered trademarks of Sonos, Inc. SONOS Reg. U.S. Pat. & Tm. Off.

Sonos products may be protected by one or more patents. Our patent-to-product information can be found here: **[sonos.com/legal/patents](https://www.sonos.com/legal/patents)**.

© 2020 by Sonos, Inc. All rights reserved.

**For additional product information:** [www.sonos.com/guides](https://www.sonos.com/guides)

## Sonos Mount

- The easy-to-install mount for Sonos One and Play:1
- Holds speaker normally, upside-down, or even horizontally
- Speaker can pivot up to 45 degrees
- Allows access to ports, buttons, and touch controls
- Cleanly routes your speaker's cables

**Important:** This mount is intended for use only with Sonos One and Play:1.

## What's in the box?

- Mount
- Wall bracket
- Top cap
- Mounting kit

**Note:** Sonos speakers sold separately.

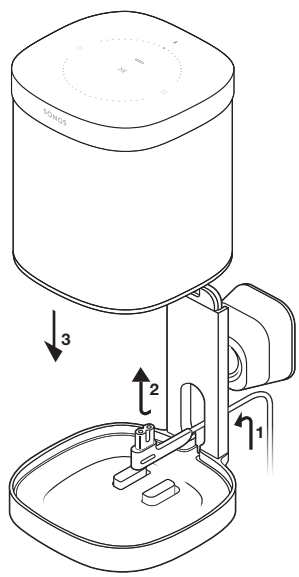
## What you'll need

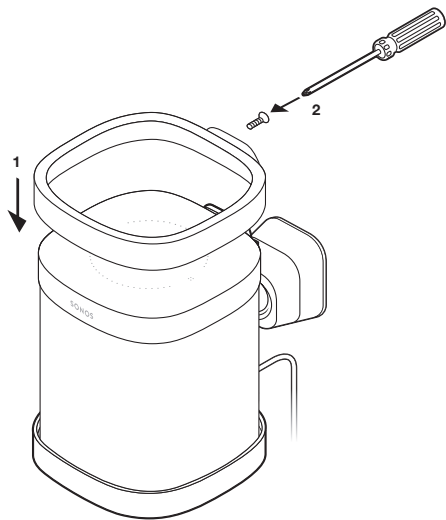
- Pencil
- Level
- Phillips-head screwdriver
- Power drill (if needed for installation location)

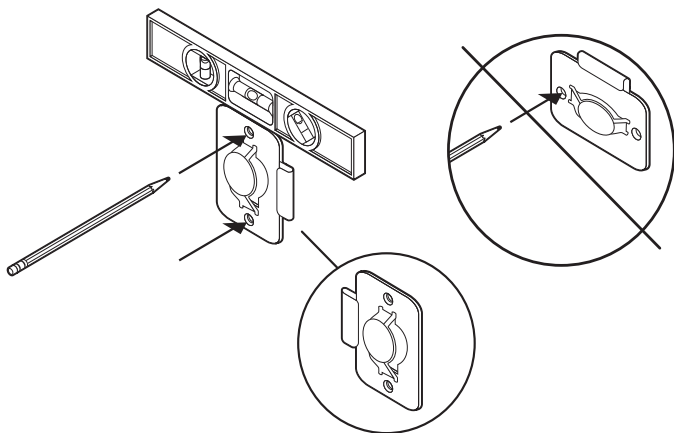
WALL MATERIAL	PRE-DRILL	USE WALL ANCHORS	USE SCREWS
Wood stud	1/8" / 3mm bit	No	Yes
Drywall (no stud)	5/16" / 8mm bit	Yes	Yes
Hard wallboard or double board	5/16" / 8mm bit	Yes	Yes
Plaster	5/16" / 8mm bit	Yes	Yes
Concrete or Brick	5/16" / 8mm bit	Yes	Yes

# Assembling your Sonos Mount

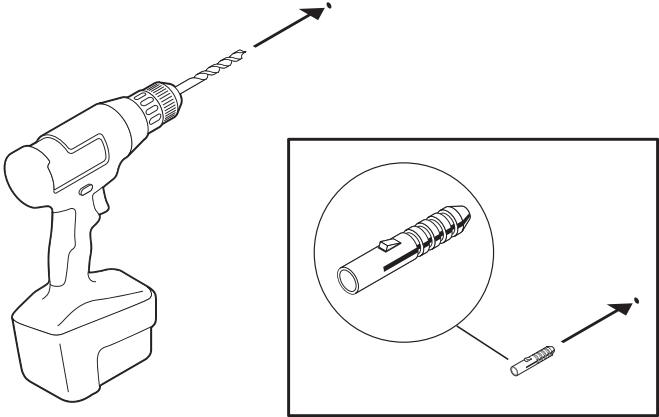
## 1



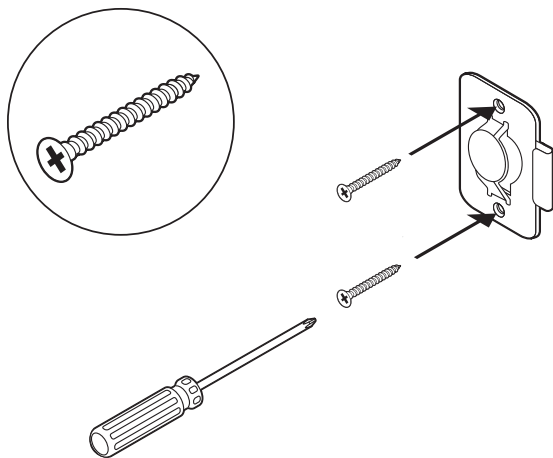
**2**

**3**

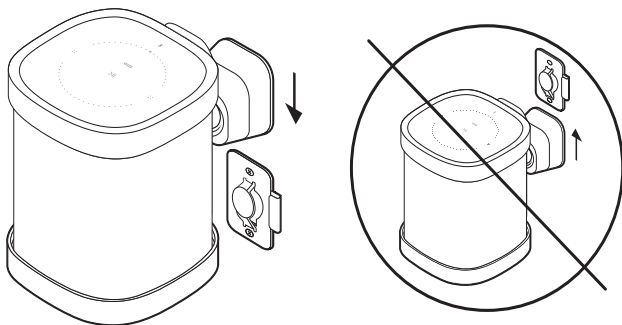
4



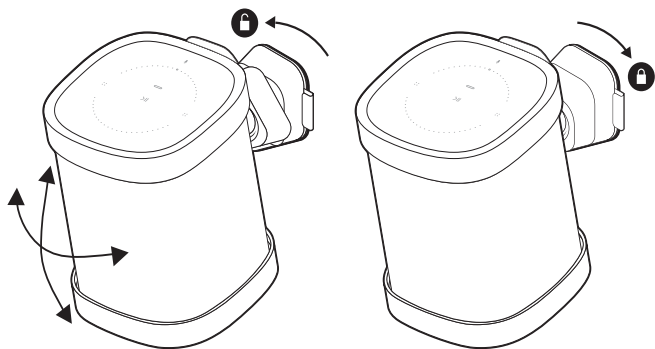
## 5

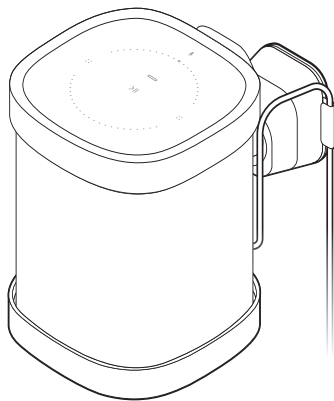




**6**

## 7



**8**

## Wall mounting information

WALL MATERIAL	PRE-DRILL	USE WALL ANCHORS	USE SCREWS
Wood stud	1/8" / 3mm bit	No	Yes
Drywall (no stud)	5/16" / 8mm bit	Yes	Yes
Hard wallboard or double board	5/16" / 8mm bit	Yes	Yes
Plaster	5/16" / 8mm bit	Yes	Yes
Concrete or Brick	5/16" / 8mm bit	Yes	Yes

## Vejledning til vægmontering

VÆGMATERIALE	FORBORING	BRUG VÆGANKRE	BRUG SKRUER
Træstolpe	med 1/8" / 3mm bit	Nej	Ja
Gipsplade (ingen stolpe)	med 5/16" / 8mm bit	Ja	Ja
Hård træplade eller dobbeltplade	med 5/16" / 8mm bit	Ja	Ja
Gipsvæg	med 5/16" / 8mm bit	Ja	Ja
Beton/Mursten	med 5/16" / 8mm bit	Ja	Ja

## Informationen zur Wandmontage

WANDMATERIAL	VORBOHREN	DÜBEL VERWENDEN	SCHRAUBEN VERWENDEN
Holzleichtbau	mit 3-mm-Bit	Nein	Ja
Trockenbauwand (keine Holzkonstruktion)	mit 8-mm-Bit	Ja	Ja
Gipswandbau- oder Doppelplatte	mit 8-mm-Bit	Ja	Ja
Gipsputz	mit 8-mm-Bit	Ja	Ja
Beton/Ziegelstein	mit 8-mm-Bit	Ja	Ja

## Información sobre soportes de pared

MATERIAL DE PARED	TALADRE PREVIAMENTE	UTILICE ZAPATAS PARA PARED	UTILICE TORNILLOS
Pernos de madera	con broca de 3 mm	No	Sí
Mampostería sin mortero (sin perno)	con broca de 8 mm	Sí	Sí
Panel de yeso duro o tablero doble	con broca de 8 mm	Sí	Sí
Escayola	con broca de 8 mm	Si	Sí
Cemento/Ladrillo	con broca de 8 mm	Sí	Sí

## Informations de montage mural

TYPE DE MUR	PRÉ-TROU	UTILISER CHEVILLES	UTILISER VIS
Montant en bois	avec foret 3 mm (1/8")	Non	Oui
Cloison sèche	avec foret 8 mm (5/16")	Oui	Oui
Panneau de revêtement dur ou double	avec foret 8 mm (5/16")	Oui	Oui
Plâtre	avec foret 8 mm (5/16")	Oui	Oui
Ciment/Briques	avec foret 8 mm (5/16")	Oui	Oui

## Informazioni sul montaggio a parete

MATERIALE PER PARETI	PRE-FORARE	USARE TASSELLI DA MURO	USARE VITI
Parete a montanti in legno	con punta da 3mm (1/8")	No	Si
Muro a secco (senza montanti)	con punta da 8mm (5/16")	Si	Si
Cartongesso o divisorio	con punta da 8mm (5/16")	Si	Si
Intonaco	con punta da 8mm (5/16")	Si	Si
Cemento/Mattone	con punta da 8mm (5/16")	Si	Si

## Informatie over wandmontage

SOORT MUUR	VOORBOREN	PLUG	SCHROEF
Houten muur (skeletbouw)	3 mm boor	Nee	Ja
Stenen muur (geen skeletbouw)	8 mm boor	Ja	Ja
Hardboard of dubbel gipsplaatmuur	8 mm boor	Ja	Ja
Gestucte muur	8 mm boor	Ja	Ja
Beton/Baksteen	8 mm boor	Ja	Ja

## veggmonterings informasjonen

VEGGMATERIELL	FORHÅNDSBORING	BRUK VEGGANKERE	UBRUK SKRUER
Stender	med 1/8" (3mm) bor	Nei	Ja
Tørmur (ingen stender)	med 5/16" (8mm) bor	Ja	Ja
Hard trefiberplate eller dobbel bordkle	med 5/16" (8mm) bor	Ja	Ja
Gips	med 5/16" (8mm) bor	Ja	Ja
Betong/Murstein	med 5/16" (8mm) bor	Ja	Ja

## Informação de montagem

MATERIAL DA PAREDE	PRÉ-PERFURAÇÃO	USAR BUCHAS NA PAREDE	USAR PARAFUSOS
Prego de madeira	com broca de 1/8"(3mm)	Não	Sim
Parede de gesso (sem madeira)	com broca de 5/16" (8mm)	Sim	Sim
Placa de gesso rígida ou placa dupla	com broca de 5/16" (8mm)	Sim	Sim
Argamassa	com broca de 5/16" (8mm)	Sim	Sim
Concreto/Tijolo	com broca de 5/16" (8mm)	Sim	Sim

## information om väggmontering

VÄGGMATERIAL	FÖRBORRNING	ANVÄND VÄGGANKARE	ANVÄND SKRUVAR
Vertikalregel av trä	med 3 mm borrarpspets	Nej	Ja
Gipsskiva (ingen vertikalregel)	med 8 mm borrarpspets	Ja	Ja
Hård väggplatta eller dubbelplatta	med 8 mm borrarpspets	Ja	Ja
Väggputs	med 8 mm borrarpspets	Ja	Ja
Betong/Tegel	med 8 mm borrarpspets	Ja	Ja

## 墙壁安装信息

墙体材料	预钻孔	是否使用墙壁预埋件	是否使用螺丝
龙骨	1/8" (3 毫米) 钻头	否	是
石膏板 (无壁骨)	5/16" (8 毫米) 钻头	是	是
硬墙纸板或双层板	5/16" (8 毫米) 钻头	是	是
石膏	5/16" (8 毫米) 钻头	是	是
混凝土 / 砖	5/16" (8 毫米) 钻头	是	是

## Informacje dotyczące montażu naściennego

MATERIAL SCIANY	NAWIERCANIE	WYKORZYSTANIE KOLKOW ROZPOROWYCH	WYKORZYSTANIE SRUB
Belki drewniane	Wiertło 3 mm	Nie	Tak
Płyta gipsowo-kartonowa (bez belek)	Wiertło 8 mm	Tak	Tak
Twarda płyta ścienna lub podwójna	Wiertło 8 mm	Tak	Tak
Gips	Wiertło 8 mm	Tak	Tak
Beton lub cegła	Wiertło 8 mm	Tak	Tak

## 壁取り付け情報

壁面用の材料	事前のドリル	壁面アンカーの使用	ネジの使用
木製間柱	1/8" (3mm) ビット	いいえ	はい
乾式壁 (間柱なし)	3/16" (4.5mm) ビット	はい	はい
硬い人造壁板または 二重板	3/16" (4.5mm) ビット	はい	はい
石こう	1/4" (6.5mm) ビット	はい	はい
コンクリートまたは レンガ	1/8" (3mm) ビット	はい	はい



## **License Agreement and Limited Warranty (U.S. and rest of world, excluding Europe)**

### **Sonos, Inc.**

READ THE TERMS OF THIS LICENSE AGREEMENT AND LIMITED WARRANTY ("AGREEMENT") GOVERNING THE USE OF THE SOFTWARE AND RELATED FIRMWARE AND DOCUMENTATION (COLLECTIVELY, THE "SOFTWARE") PROVIDED TO YOU BY SONOS ("SONOS") CAREFULLY BEFORE USING THE APPLICABLE SONOS PRODUCT (SUCH HARDWARE, TOGETHER WITH THE SOFTWARE, REFERRED TO AS THE "PRODUCT").

BY OPENING THIS PACKAGE, INSTALLING AND USING THE PRODUCT, YOU ARE (1) REPRESENTING THAT YOU ARE OVER THE AGE OF 18, (2) REPRESENTING THAT YOU HAVE THE RIGHT AND AUTHORITY TO LEGALLY BIND YOURSELF OR YOUR COMPANY, AS APPLICABLE, AND (3) CONSENTING TO BE LEGALLY BOUND BY ALL OF THE TERMS OF THIS AGREEMENT. IF YOU DO NOT AGREE TO ALL THESE TERMS OR CANNOT MAKE SUCH REPRESENTATIONS, DO NOT USE THE PRODUCT. IF YOU ELECT NOT TO ACCEPT THE TERMS OF THIS AGREEMENT, YOU MAY RETURN THE NEW, UNUSED PRODUCT WITHIN THIRTY (30) DAYS OF PURCHASE TO THE RETAIL LOCATION WHERE YOU PURCHASED IT, WITH ALL ORIGINAL PACKAGING FOR A FULL REFUND.

### **1. GRANT OF LICENSE**

(a) Subject to the terms and conditions of this Agreement, Sonos grants to You a worldwide, non-exclusive, non-transferable, personal license (without the right to sub-license) to (i) use the Software as embedded in the Product for the purpose of operating the Product, and (ii) use the desktop application portion(s) of the Software on any personal computer owned or controlled by You during the Term. Except as provided above, You may not transfer the Software to any other computing device or otherwise remove the Software from the Product. Notwithstanding any license granted herein by Sonos, You acknowledge and agree that it is Your sole responsibility to comply with U.S. and international copyright laws with respect to Your use of the Software.

(b) You agree not to copy, modify, reverse engineer, decompile or disassemble the Product to the extent that such restriction is not prohibited by law. Except for the limited license granted herein, Sonos and its suppliers hereby retain all right, title and interest in and to all worldwide intellectual property rights embodied in the Software. All other rights are reserved by Sonos. You acknowledge and agree that the technology embedded in and used to create the Product constitute the valuable trade secrets and know-how of Sonos, and to the extent you discover any such trade secrets, You will not disclose them to any third party.

(c) Sonos shall have no obligation to provide any updates or upgrades to the Product, but in the event that it does, such updates, upgrades and any documentation shall be deemed the "Product", and shall be subject to the terms and conditions of this Agreement.

### **2. TERM OF AGREEMENT**

(a) You may terminate this Agreement at any time by notifying Sonos, discontinuing use of the Product and purging the Software from Your computing device.

(b) This Agreement will automatically terminate if You violate any of its terms.

(c) Sections 1(b), 3, 4, 6(c), 7 and 9 shall survive termination or expiration for any reason.

### 3. COMPLIANCE WITH COPYRIGHT LAWS

Sonos complies with U.S. and international copyright laws and in consideration of the licenses granted herein, You agree to do the same. You acknowledge that unauthorized copying or distribution of music or other content accessed using the Product ("Content") is prohibited by such copyright laws, and You agree that You will not, directly or indirectly, copy or distribute any Content without the express written authorization of the copyright holder. You agree to indemnify and hold harmless Sonos and its licensors from and against any and all claims, suits, losses, damages, liabilities, costs and expenses incurred by Sonos or its licensors arising out of or related to Your failure to comply with the terms of this Section 3.

### 4. SONOS PRIVACY POLICY

Use of Sonos Products is subject to the Sonos Privacy Policy, which can be found at [www.sonos.com/legal/privacy\\_policy.htm](http://www.sonos.com/legal/privacy_policy.htm) and by reference is made a part of this Agreement. The Sonos Privacy Policy outlines the type of information that may be collected from you by Sonos and how such information may be used by Sonos. It is important that you read and understand the terms of the Privacy Policy.

### 5. THIRD PARTY CONTENT AND TECHNOLOGIES SUPPORT

From time to time, Sonos may provide access to third party content providers via the Product. In addition, Sonos may support certain third party technologies, such as specific file formats or codecs. Sonos reserves the right to discontinue access to and/or support for such third party content or technologies at any time, and for any reason. Sonos makes no representations or warranties whatsoever regarding the selection of, or continuing support for, any such third party content or technologies.

### 6. WARRANTY AND DISCLAIMER

(a) **Limited Warranty.** Sonos warrants to You that for a period of one (1) year after the date of original purchase of the Product, the Product will be free from defects in materials and workmanship. SONOS DOES NOT WARRANT THAT THE PRODUCT WILL OPERATE WITHOUT INTERRUPTION OR WILL BE ERROR-FREE, OR THAT ALL ERRORS MAY BE CORRECTED. EXCEPT AS SET FORTH IN SECTION 6(C), SONOS' SOLE LIABILITY, AND YOUR SOLE REMEDY, FOR BREACH OF THE FOREGOING WARRANTY WILL BE, AT SONOS' SOLE DISCRETION, REPAIR OR REPLACEMENT OF THE PRODUCT, OR, IF NEITHER OF THE FOREGOING ARE REASONABLY AVAILABLE, A REFUND OF THE AMOUNT YOU PAID, LESS AMOUNTS ATTRIBUTABLE TO YOUR PRIOR USE.

(b) **Limitations.** The foregoing warranty does not extend to problems in the Product that result from: (i) Your failure to implement all bug fixes or error corrections to the Product which are made available by Sonos; (ii) any use of the Product in a manner for which it was not designed or as not authorized under this Agreement; or (iii) any use of the Product with other products, hardware or products not supplied by, and/ or inconsistent with the documentation provided by, Sonos.

(c) **Disclaimer.** EXCEPT AS EXPRESSLY SET FORTH ABOVE, SONOS MAKES NO WARRANTIES, WHETHER EXPRESS, IMPLIED, STATUTORY OR OTHERWISE, WITH RESPECT TO THE PRODUCT. SONOS AND ITS SUPPLIERS HEREBY SPECIFICALLY DISCLAIM ALL OTHER EXPRESS, STATUTORY AND IMPLIED WARRANTIES AND CONDITIONS, INCLUDING THE IMPLIED WARRANTIES OF MERCHANTABILITY, FITNESS FOR A PARTICULAR PURPOSE, NON-INFRINGEMENT AND THE IMPLIED CONDITION OF SATISFACTORY QUALITY. EXCEPT AS EXPRESSLY STATED IN SECTION 6(A), THE PRODUCT IS SUPPLIED ON AN "AS IS" BASIS WITHOUT WARRANTY. YOU ASSUME ALL RESPONSIBILITIES FOR SELECTION OF THE PRODUCT TO ACHIEVE YOUR INTENDED RESULTS,

AND FOR THE INSTALLATION AND USE OF THE PRODUCT. Some jurisdictions do not allow a limitation on implied warranties, and so the foregoing disclaimer may not apply to You. In any event, any implied warranties that may exist under the laws of Your jurisdiction are limited to the one (1) year period set forth in the limited warranty given under subsection (a) above.

## **7. LIMITATION OF LIABILITY**

(a) TO THE MAXIMUM EXTENT ALLOWED UNDER LAW, IN NO EVENT WILL SONOS OR ITS SUPPLIERS BE LIABLE FOR ANY DAMAGES, INCLUDING BUT NOT LIMITED TO, INCIDENTAL, SPECIAL, CONSEQUENTIAL, EXEMPLARY, OR INDIRECT DAMAGES, AND INCLUDING BUT NOT LIMITED TO, COST OF COVER, LOSS OF DATA, LOSS OF PROFITS, BUSINESS INTERRUPTION, LOSS OF BUSINESS INFORMATION, OR OTHER PECUNIARY LOSS ARISING FROM THE USE OF (OR INABILITY TO USE) THE PRODUCT, NO MATTER HOW CAUSED AND ON ANY THEORY OF LIABILITY. BECAUSE SOME STATES/JURISDICTIONS DO NOT ALLOW THE EXCLUSION OR LIMITATION OF LIABILITY FOR CONSEQUENTIAL OR INCIDENTAL DAMAGES, SOME OF THE ABOVE LIMITATIONS MAY NOT APPLY TO YOU, BUT THEY SHALL APPLY TO THE MAXIMUM EXTENT PERMITTED BY LAW.

(b) IN NO EVENT SHALL SONOS' TOTAL LIABILITY TO YOU FOR ALL DAMAGES IN ANY ONE OR MORE CAUSES OF ACTION EXCEED THE AMOUNT PAID BY YOU FOR THE PRODUCT.

(c) The limitations in Section 7 will apply even if Sonos, its suppliers or dealers have been advised of the possibility of such damage or of any type of use intended by You. These limitations shall apply notwithstanding the failure of essential purpose of any limited remedy. You acknowledge that these limitations reflect a reasonable allocation of risk.

## **8. INFRINGEMENT INDEMNITY**

(a) Indemnity. Sonos shall defend or settle any claim, demand, suit, proceeding or action ("Claim") against You to the extent that such Claim is based on an allegation that any portion of the Product, as furnished to You under this Agreement and used as authorized in this Agreement, infringes any third party's U.S. copyright or misappropriates such third party's trade secrets, provided that You: (i) give prompt written notice of the Claim to Sonos; (ii) give Sonos the exclusive authority to control and direct the defense or settlement of such Claim; and (iii) give Sonos, at Sonos' expense (except for the value of Your time), all necessary information and assistance with respect to the Claim. Sonos shall pay all settlement amounts, damages and costs finally awarded to the extent attributable to such Claim. You may participate in the defense of Claim at Your expense. Sonos will not be liable for any costs or expenses incurred without its prior written authorization.

(b) Limit on Indemnity. The foregoing notwithstanding, Sonos shall have no liability for a Claim to the extent based on: (i) the use by You of any Product more than thirty (30) days after Sonos notifies You in writing that continued use of the Product may give rise to such Action; (ii) the combination of the Product, or any part thereof, with other hardware or products not provided by Sonos, which Claim would have been avoided if the Products had not been so combined; or (iii) use of the Products other than as authorized under this Agreement.

(c) Entire Liability. THE FOREGOING PROVISIONS OF THIS SECTION 8 STATE THE ENTIRE LIABILITY AND OBLIGATIONS OF SONOS, AND YOUR EXCLUSIVE REMEDY, WITH RESPECT TO ANY ACTUAL OR ALLEGED INFRINGEMENT OF OR MISAPPROPRIATION OF ANY INTELLECTUAL PROPERTY RIGHT BY THE PRODUCT.

**9. MISCELLANEOUS**

You acknowledge that the Product is subject to the export control law and regulations of the United States, and any amendments thereto. You warrant that You will comply in all respects with United States exports laws and regulations. This Agreement shall be governed by the laws of the State of California, without reference to its conflict of law principles. You consent to the jurisdiction of the federal and state courts sitting in the State of California. This Agreement constitutes the entire agreement between You and Sonos with respect to the subject matter hereof, and supersedes all prior oral or written understandings, communications or agreements not specifically incorporated herein. If any provision of this Agreement is found to be invalid or unenforceable pursuant to judicial decree or decision, the remainder of this Agreement shall remain valid and enforceable according to its terms. You may not assign this Agreement, or any of its rights or obligations hereunder, whether by operation of law or otherwise, without the prior written consent of Sonos. Any attempted assignment by You without prior written consent shall be void. For inquiries or questions regarding this Agreement, please send an e-mail to [support@sonos.com](mailto:support@sonos.com) or call (800) 680-2345.

## License Agreement and Limited Warranty (Europe)

Sonos Europe B.V.  
Schuttersweg 10  
1217 PZ Hilversum  
The Netherlands

### Sonos, Inc.

READ THE TERMS OF THIS LICENSE AGREEMENT AND LIMITED WARRANTY ("AGREEMENT") GOVERNING THE USE OF THE SOFTWARE AND RELATED FIRMWARE AND DOCUMENTATION (COLLECTIVELY, THE "SOFTWARE") PROVIDED TO YOU BY SONOS EUROPE B.V. ("SONOS") CAREFULLY BEFORE BUYING THE APPLICABLE SONOS PRODUCT (SUCH HARDWARE, TOGETHER WITH THE SOFTWARE, REFERRED TO AS THE "PRODUCT").

BY PURCHASING THE PRODUCT, YOU ARE (1) REPRESENTING THAT YOU ARE OVER THE AGE OF 18, (2) REPRESENTING THAT YOU HAVE THE RIGHT AND AUTHORITY TO LEGALLY BIND YOURSELF OR YOUR COMPANY, AS APPLICABLE, AND (3) CONSENTING TO BE LEGALLY BOUND BY ALL OF THE TERMS OF THIS AGREEMENT. IF YOU DO NOT AGREE TO ALL THESE TERMS OR CANNOT MAKE SUCH REPRESENTATIONS, DO NOT PURCHASE THE PRODUCT.

#### 1. GRANT OF LICENSE

(a) Subject to the terms and conditions of this Agreement, Sonos grants to You a worldwide, non-exclusive, non-transferable, personal license (without the right to sub-license) to (i) use the Software as embedded in the Product for the purpose of operating the Product, and (ii) use the desktop application portion(s) of the Software on any personal computer owned or controlled by You during the Term. You may not transfer the Software to any other computing device or otherwise remove the Software from the Product. Notwithstanding any license granted herein by Sonos, You acknowledge and agree that it is Your sole responsibility to comply with U.S. and international copyright laws with respect to Your use of the Software.

(b) You agree not to copy, modify, reverse engineer, decompile or disassemble the Product to the extent that such restriction is not prohibited by applicable mandatory law. Except for the limited license granted herein, Sonos and its suppliers hereby retain all right, title and interest in and to all worldwide intellectual property rights embodied in the Software. All other rights are reserved by Sonos. You acknowledge and agree that the technology embedded in and used to create the Product constitute the valuable trade secrets and know-how of Sonos, and to the extent You discover any such trade secrets, You will not disclose them to any third party.

(c) Sonos shall have no obligation to provide any updates or upgrades to the Product, but in the event that it does, such updates, upgrades and any documentation shall be deemed the "Product", and shall be subject to the terms and conditions of this Agreement.

#### 2. TERM OF AGREEMENT

(a) You may terminate this Agreement at any time by notifying Sonos, discontinuing use of the Product and purging the Software from Your computing device.

(b) This Agreement will automatically terminate if You violate Section 1 and/or 3 of this Agreement.

(c) Sections 1(b), 2(c), 3, 6(c), 7 and 9 shall survive termination or expiration for any reason.

### 3. COMPLIANCE WITH COPYRIGHT LAWS

Sonos complies with U.S. and international copyright laws and in consideration of the licenses granted herein, You agree to do the same. You acknowledge that unauthorized copying or distribution of music or other content accessed using the Product ("Content") is prohibited by such copyright laws, and You agree that You will not, directly or indirectly, copy or distribute any Content without the express written authorization of the copyright holder. Further, You agree to compensate Sonos and its licensors for all losses, damages, liabilities, costs and expenses incurred by Sonos or its licensors as a result of claims or actions brought against Sonos or its licensors arising out of or related to Your failure to comply with the terms of this Section 3.

### 4. SONOS PRIVACY POLICY

Use of Sonos Products is subject to the Sonos Privacy Policy, which can be found at [www.sonos.com/legal/privacy\\_policy.htm](http://www.sonos.com/legal/privacy_policy.htm) and by reference is made a part of this Agreement. The Sonos Privacy Policy outlines the type of information that may be collected from you by Sonos and how such information may be used by Sonos. It is important that you read and understand the terms of the Privacy Policy.

### 5. THIRD PARTY CONTENT AND TECHNOLOGIES SUPPORT

From time to time, Sonos may provide access to third party content providers via the Product. In addition, Sonos may support certain third party technologies, such as specific file formats or codecs. Sonos reserves the right to discontinue access to and/or support for such third party content or technologies at any time, and for any reason. Sonos makes no representations or warranties whatsoever regarding the selection of, or continuing support for, any such third party content or technologies.

### 6. WARRANTY AND DISCLAIMER

(a) Limited Warranty. Sonos warrants to You that, for a period of two (2) years after the date of original purchase of the Product, the Product will be free from defects in materials and workmanship. SONOS DOES NOT WARRANT THAT THE PRODUCT WILL OPERATE WITHOUT INTERRUPTION OR WILL BE ERROR-FREE, OR THAT ALL ERRORS MAY BE CORRECTED. IF YOU ARE A CONSUMER, THIS WARRANTY IS IN ADDITION TO AND DOES NOT AFFECT YOUR STATUTORY RIGHTS. EXCEPT AS SET FORTH IN SECTION 6(C) AND SUBJECT TO ANY MANDATORY CONSUMER PROTECTION LAWS TO THE CONTRARY, SONOS SOLE LIABILITY, AND YOUR SOLE REMEDY, FOR BREACH OF THE FOREGOING WARRANTY WILL BE REPAIR OR REPLACEMENT OF THE PRODUCT, OR, IF NEITHER OF THE FOREGOING ARE REASONABLY AVAILABLE, A REFUND OF THE AMOUNT YOU PAID, LESS AMOUNTS ATTRIBUTABLE TO YOUR PRIOR USE.

(b) Limitations. The foregoing warranty does not extend to problems in the Product to the extent that such results from: (i) Your failure to implement all bug fixes or error corrections to the Product which are made available by Sonos; (ii) any use of the Product in a manner for which it was not designed or as not authorized under this Agreement; or (iii) any use of the Product with other products, hardware or products not supplied by, and/or inconsistent with the documentation provided by, Sonos.

(c) Disclaimer. EXCEPT AS EXPRESSLY SET FORTH ABOVE, SONOS MAKES NO WARRANTIES, WHETHER EXPRESS, IMPLIED, STATUTORY OR OTHERWISE, WITH RESPECT TO THE PRODUCT. SONOS AND ITS SUPPLIERS HEREBY SPECIFICALLY DISCLAIM ALL OTHER EXPRESS, STATUTORY AND IMPLIED WARRANTIES AND CONDITIONS, INCLUDING THE IMPLIED WARRANTIES OF MERCHANTABILITY, FITNESS FOR A PARTICULAR PURPOSE, NON-INFRINGEMENT AND THE

IMPLIED CONDITION OF SATISFACTORY QUALITY. EXCEPT AS EXPRESSLY STATED IN SECTION 6(A), THE PRODUCT IS SUPPLIED ON AN "AS IS" BASIS WITHOUT WARRANTY. YOU ASSUME ALL RESPONSIBILITIES FOR SELECTION OF THE PRODUCT TO ACHIEVE YOUR INTENDED RESULTS, AND FOR THE INSTALLATION AND USE OF THE PRODUCT. SOME JURISDICTIONS DO NOT ALLOW A LIMITATION ON IMPLIED WARRANTIES, AND SO, PARTICULARLY IF YOU ARE A CONSUMER, THE FOREGOING DISCLAIMER MAY NOT APPLY TO YOU. In any event, to the extent permitted under the laws of Your jurisdiction, any implied warranties that may exist under the laws of Your jurisdiction are limited to the two (2) year period set forth in the limited warranty given under subsection (a) above.

#### **7. LIMITATION OF LIABILITY**

(a) TO THE MAXIMUM EXTENT ALLOWED UNDER LAW, IN NO EVENT WILL SONOS OR ITS SUPPLIERS BE LIABLE FOR ANY INCIDENTAL, SPECIAL, CONSEQUENTIAL, EXEMPLARY, OR INDIRECT DAMAGES, AND INCLUDING BUT NOT LIMITED TO, COST OF COVER, LOSS OF DATA, LOSS OF PROFITS, BUSINESS INTERRUPTION, LOSS OF BUSINESS INFORMATION, OR OTHER PECUNIARY LOSS ARISING FROM THE USE OF (OR INABILITY TO USE) THE PRODUCT, NO MATTER HOW CAUSED AND ON ANY THEORY OF LIABILITY.

(b) IN NO EVENT SHALL SONOS' TOTAL LIABILITY TO YOU FOR ALL DAMAGES IN ANY ONE OR MORE CAUSES OF ACTION EXCEED THE AMOUNT PAID BY YOU FOR THE PRODUCT UNLESS OTHERWISE REQUIRED BY LAW.

(c) The limitations in Section 7 will apply even if Sonos, its suppliers or dealers have been advised of the possibility of such damage or of any type of use intended by You. These limitations shall apply notwithstanding the failure of essential purpose of any limited remedy. You acknowledge that these limitations reflect a reasonable allocation of risk.

(d) The limitations in this section 7 shall not apply to damage resulting from willful misconduct or gross negligence on the part of Sonos. The limitations of section 7 shall further not apply to damage resulting from loss of life or personal injury caused by willful misconduct or negligence or breach of contract by Sonos or its directors or any third party Sonos has used to fulfill its contractual obligations towards You. With regard to product liability, the limitations in this section 7 shall only apply to the extent permitted by mandatory rules regarding product liability.

(e) The limitations in this section 7 shall not affect your statutory rights as a consumer.

#### **8. INFRINGEMENT INDEMNITY**

(a) Indemnity. Sonos shall defend or settle any claim, demand, suit, proceeding or action ("Claim") against You to the extent that such Claim is based on an allegation that any portion of the Product, as furnished to You under this Agreement and used as authorized in this Agreement, infringes any third party's copyright or misappropriates such third party's trade secrets, provided that You: (i) give prompt written notice of the Claim to Sonos; (ii) give Sonos the exclusive authority to control and direct the defense or settlement of such Claim; and (iii) give Sonos, at Sonos' expense (except for the value of Your time), all necessary information and assistance with respect to the Claim. Sonos shall pay all settlement amounts, damages and costs finally awarded to the extent attributable to such Claim. You may participate in the defense of Claim at Your expense. Sonos will not be liable for any costs or expenses incurred without its prior written authorization.

(b) Limit on Indemnity. The foregoing notwithstanding, Sonos shall have no liability for a Claim to the extent based on: (i) the use by You of any Product more than thirty (30) days after Sonos notifies You in writing that

continued use of the Product may give rise to such Action and offers, in return for You ceasing all further use of the Product, to refund the price paid by You for the Product less amounts attributable to Your prior use; (ii) the combination of the Product, or any part thereof, with other hardware or products not provided by Sonos, which Claim would have been avoided if the Products had not been so combined; or (iii) use of the Products other than as authorized under this Agreement.

(c) **Entire Liability.** THE FOREGOING PROVISIONS OF THIS SECTION 8 STATE THE ENTIRE LIABILITY AND OBLIGATIONS OF SONOS, AND YOUR EXCLUSIVE REMEDY, WITH RESPECT TO ANY ACTUAL OR ALLEGED INFRINGEMENT OF OR MISAPPROPRIATION OF ANY INTELLECTUAL PROPERTY RIGHT BY THE PRODUCT.

## 9. MISCELLANEOUS

You acknowledge that the Product may be subject to the export control law and regulations of the jurisdiction in which You purchased the Product and you warrant that You will comply in all respects with such laws and regulations. This Agreement shall be governed by the laws of the Netherlands, without reference to its conflict of law principles, The United Nations Convention on contracts for the International sale of goods is not applicable to this Agreement. This Agreement constitutes the entire agreement between You and Sonos with respect to the subject matter hereof, and supersedes all prior oral or written understandings, communications or agreements not specifically incorporated herein. If any provision of this Agreement is found to be invalid or unenforceable pursuant to judicial decree or decision, the remainder of this Agreement shall remain valid and enforceable according to its terms. You may not assign this Agreement, or any of its rights or obligations hereunder, whether by operation of law or otherwise, without the prior written consent of Sonos, which consent shall not, if You are a consumer, be unreasonably refused. Any attempted assignment by You without prior written consent shall be void. For inquiries or questions regarding this Agreement, please send an e-mail to support@sonos.com.

## **Contrat de licence et garantie limitée. (Aux États-Unis et dans le reste du monde, à l'exception de l'Europe)**

**Sonos, Inc.**

LISEZ ATTENTIVEMENT LES TERMES DE CE CONTRAT DE LICENCE ET DE CETTE GARANTIE LIMITÉE (« CONTRAT ») RÉGISSANT L'UTILISATION DU LOGICIEL AINSI QUE DU PRODIGIEL ET DE LA DOCUMENTATION ASSOCIÉS (COLLECTIVEMENT, LE « LOGICIEL »), QUI VOUS SONT FOURNIS PAR SONOS (« SONOS ») AVANT D'UTILISER LE PRODUIT SONOS APPLICABLE (MATÉRIEL QUI, AVEC LE LOGICIEL, EST CONSIDÉRÉ COMME LE « PRODUIT »).

EN OUVRANT CET EMBALLAGE, EN INSTALLANT ET EN UTILISANT LE PRODUIT, VOUS (1) DÉCLAREZ QUE VOUS AVEZ PLUS DE 18 ANS, VOUS (2) DÉCLAREZ QUE VOUS AVEZ LE DROIT DE VOUS ENGAGER OU D'ENGAGER VOTRE SOCIÉTÉ LÉGALEMENT LE CAS ÉCHÉANT ET VOUS (3) CONSENTEZ À ÊTRE LÉGALEMENT ENGAGÉ PAR TOUS LES TERMES DE CE CONTRAT. SI VOUS N'ACCEPTEZ PAS TOUS CES TERMES OU SI VOUS NE REMPLISSEZ PAS CES CRITÈRES, N'UTILISEZ PAS LE PRODUIT. SI VOUS CHOISISSEZ DE NE PAS ACCEPTER LES TERMES DE CE CONTRAT, VOUS POUVEZ RETOURNER LE PRODUIT NEUF ET INUTILISÉ AU MAGASIN OÙ VOUS L'AVEZ ACHETÉ DANS UN DÉLAI DE TRENTE (30) JOURS APRÈS L'ACHAT, AVEC SON EMBALLAGE D'ORIGINE POUR UN REMBOURSEMENT INTÉGRAL.



## 1. ATTRIBUTION DE LICENCE

(a) Selon les termes et conditions de ce contrat, Sonos vous accorde une licence personnelle non-transférable, non-exclusive et mondiale (sans droit de sous-licence) pour (i) utiliser le logiciel lorsqu'il est intégré au produit afin de faire fonctionner ce dernier et pour (ii) utiliser la ou les parties d'application de bureau du logiciel sur un ordinateur personnel dont vous êtes propriétaire ou que vous contrôlez durant la période. Sauf disposition contraire ci-dessus, vous ne pouvez pas transférer le logiciel vers un autre périphérique informatique, ni le supprimer du produit. En dépit de toute licence accordée ici par Sonos, vous assumez et acceptez qu'il est de votre seule responsabilité de satisfaire aux lois de copyright internationales et des États-Unis d'après votre utilisation du logiciel.

(b) Vous acceptez de ne pas copier, modifier, faire de l'ingénierie inverse, décompiler ou désassembler le produit dans la mesure où une telle restriction n'est pas prohibée par la loi. Sauf pour la licence limitée accordée ici, Sonos et ses fournisseurs conservent par le présent document tous les droits, habilitations et intérêts sur tous les droits de propriété intellectuelle mondiaux incorporés au logiciel. Tous les autres droits sont réservés par Sonos. Vous reconnaissez et acceptez que la technologie intégrée au produit et utilisée pour le créer représente les secrets industriels et le savoir-faire de Sonos et que si vous veniez à découvrir l'un de ses secrets, vous ne le divulgueriez à aucun tiers.

(c) Sonos n'a aucune obligation à fournir des mises à jour ou mises à niveau pour le produit, mais si elle le fait, ces mises à jour, mises à niveau et toute documentation doivent être dignes du « produit » et doivent être soumises aux termes et conditions de ce contrat.

## 2. DURÉE DU CONTRAT

(a) Vous pouvez rompre ce contrat à tout moment en informant Sonos, en arrêtant d'utiliser le produit et en supprimant le logiciel de votre périphérique informatique.

(b) Ce contrat se terminera automatiquement si vous en violez la moindre clause.

(c) Les sections 1(b), 3, 4, 6(c), 7 et 9 survivront au terme ou à l'expiration du présent contrat, quelle que soit la raison.

## 3. RESPECT DES LOIS DE COPYRIGHT

Sonos satisfait aux règles de copyright internationales et des États-Unis et, conformément aux licences accordées ici, vous acceptez d'en faire de même. Vous reconnaissez que la copie ou la distribution illégale de musique ou de tout autre contenu auquel vous accédez à l'aide du produit (« Contenu ») est interdite par ces lois de copyright et vous acceptez de ne pas copier ou distribuer, directement ou indirectement, du contenu sans l'autorisation écrite expresse du propriétaire des droits. Vous acceptez d'indemniser et de dédommager Sonos et ses licenciés de toutes les réclamations, procès, pertes, dommages, responsabilités, coûts et dépenses qu'ils pourraient encourir à la suite de votre manquement à satisfaire les termes de cette section 3.

## 4. POLITIQUE DE CONFIDENTIALITÉ DE SONOS

L'utilisation des produits Sonos est soumise à la politique de confidentialité de Sonos disponible à l'adresse [www.sonos.com/legal/privacy\\_policy.htm](http://www.sonos.com/legal/privacy_policy.htm) et qui, par cette référence, devient une partie intégrante de ce contrat. Cette politique de confidentialité de Sonos décrit le type d'informations que Sonos peut vous demander et la façon dont ces informations peuvent être utilisées par Sonos. Il est donc important que vous lisiez et compreniez les conditions de cette politique de confidentialité.

## **5. PRISE EN CHARGE DE TECHNOLOGIES ET DE CONTENUS TIERS**

Parfois, Sonos pourra fournir l'accès à des fournisseurs de contenu tiers via le Produit. De plus, Sonos pourra prendre en charge certaines technologies tierces, telles que des formats de fichiers ou codecs spécifiques. Sonos se réserve le droit d'interrompre, à tout moment et pour quelque raison que ce soit, la prise en charge et/ou l'accès à ces technologies ou contenus tiers. Sonos n'engage aucune responsabilité, ni garantie d'aucune sorte en ce qui concerne le choix de ces technologies ou contenus tiers ou le maintien de leur prise en charge.

## **6. GARANTIE ET CLAUSE DE NON-RESPONSABILITÉ**

(a) Garantie limitée. Sonos vous garantit pendant une période d'un (1) an à compter de la date originale d'achat du produit que ce dernier est exempt de défauts de matière et de fabrication. SONOS NE GARANTIT PAS QUE LE PRODUIT FONCTIONNERA SANS INTERRUPTION OU SANS ERREUR, NI QUE TOUTES LES ERREURS POURRONT ÊTRE CORRIGÉES. À L'EXCEPTION DES STIPULATIONS EXPRESSES DE LA SECTION 6(C), LA SEULE RESPONSABILITÉ DE SONOS, ET VOTRE SEUL RECOURS, EN SITUATION DE RUPTURE DE LA GARANTIE PRÉCITÉE, SERA, À LA SEULE DISCRÉTION DE SONOS, DE PROCÉDER À LA RÉPARATION OU AU REMPLACEMENT DU PRODUIT OU, SI AUCUNE DES SOLUTIONS PRÉCITÉES N'EST POSSIBLE, AU REMBOURSEMENT DU MONTANT QUE VOUS AVEZ PAYÉ, DÉDUCTION FAITE DES SOMMES ÉQUIVALANT À VOTRE UTILISATION PRÉALABLE.

(b) Limitations. La garantie susmentionnée ne s'étend pas aux problèmes du produit résultant de : (i) votre manquement à implémenter au produit tous les correctifs de bogues ou d'erreurs rendus disponibles par Sonos ; (ii) toute utilisation du produit d'une façon pour laquelle il n'a pas été conçu ou qui n'est pas autorisée par ce contrat ; ou (iii) toute utilisation du produit avec d'autres produits, matériel ou produits non fournis par Sonos et/ou incohérents avec la documentation fournie par Sonos.

(c) Clause de non-responsabilité. À L'EXCEPTION DES STIPULATIONS EXPRESSES CI-DESSUS, SONOS NE CONFÈRE AU PRODUIT AUCUNE GARANTIE, QUE CE SOIT EXPLICITE, IMPLICITE, LÉGALE OU AUTRE. SONOS ET SES FOURNISSEURS DÉCLINENT EXPRESSÉMENT PAR LA PRÉSENTE TOUTES AUTRES GARANTIES ET CONDITIONS EXPLICITES, LÉGALES ET IMPLICITES, INCLUANT LES GARANTIES TACITES DE QUALITÉ MARCHANDE, D'APTITUDE À UN EMPLOI PARTICULIER, DE NON-CONTREFAÇON ET LA CONDITION IMPLICITE DE QUALITÉ SATISFAISANTE. À L'EXCEPTION DES INDICATIONS EXPRESSES DE LA SECTION 6(A), LE PRODUIT EST FOURNI « TEL QUEL » SANS GARANTIE. VOUS ASSUMEZ TOUTES LES RESPONSABILITÉS LIÉES AU CHOIX DU PRODUIT POUR ATTEINDRE LES OBJECTIFS VISÉS AINSI QU'À L'INSTALLATION ET À L'UTILISATION DU PRODUIT. Certains ressorts géographiques n'autorisent aucune limitation relative aux garanties implicites. Il est donc possible que la clause de non-responsabilité précédente ne s'applique pas à vous. Quoi qu'il en soit, toute garantie implicite susceptible d'exister en vertu de la législation de votre ressort géographique est limitée à la période d'un (1) an stipulée dans la garantie limitée énoncée à la sous-section (a) ci-dessus.

## **7. LIMITATION DE RESPONSABILITÉ**

(a) DANS LES LIMITES AUTORISÉES PAR LA LOI, SONOS OU SES FOURNISSEURS NE SERONT EN AUCUN CAS RESPONSABLES DES DOMMAGES INCLUANT, SANS TOUTEFOIS S'Y LIMITER, LES DOMMAGES ACCESSOIRES, SPÉCIAUX, CONSÉCUTIFS, EXEMPLAIRES OU INDIRECTS, ET INCLUANT, SANS TOUTEFOIS S'Y LIMITER, LES COÛTS DE GARANTIE, LES PERTES DE DONNÉES,

LES PERTES DE BÉNÉFICES, LES PERTES D'EXPLOITATION, LES PERTES D'INFORMATIONS COMMERCIALES OU TOUTES AUTRES PERTES PÉCUNIAIRES RÉSULTANT DE L'UTILISATION (OU DE L'IMPOSSIBILITÉ D'UTILISATION) DU PRODUIT, QUELLES QU'EN SOIENT LA CAUSE ET LA THÈSE DE RESPONSABILITÉ INVOQUÉE. PARCE QUE CERTAINS ÉTATS/CERTAINES JURIDICTIONS N'AUTORISENT PAS L'EXCLUSION OU LA LIMITATION DE RESPONSABILITÉ POUR LES DOMMAGES CONSÉCUTIFS OU ACCESSOIRES, CERTAINES DES LIMITATIONS CI-DESSUS PEUVENT NE PAS S'APPLIQUER À VOUS, MAIS ELLES S'APPLIQUERONT DANS LA MESURE MAXIMALE AUTORISÉE PAR LA LOI.

(b) EN AUCUN CAS, LA RESPONSABILITÉ TOTALE DE SONOS ENVERS VOUS POUR TOUTS LES DOMMAGES INHÉRENTS À UNE OU PLUSIEURS CAUSES D'ACTION N'EXCÉDERA LE PRIX QUE VOUS AVEZ PAYÉ À L'ACHAT DU PRODUIT.

(c) Les limitations stipulées à la section 7 s'appliqueront même si Sonos, ses fournisseurs ou distributeurs ont été informés de la possibilité de ce genre de dommages ou de tout type d'usage envisagé par vous. Ces limitations s'appliqueront nonobstant le manque de but essentiel de tout recours limité. Vous reconnaissez que ces limitations reflètent une part de risque raisonnable.

## **8. INDEMNITÉ DE CONTREFAÇON**

(a) Indemnité. Sonos justifiera ou s'acquittera de toute réclamation, demande, litige, procédure ou action (« réclamation ») contre vous dans la mesure où cette réclamation repose sur une allégation selon laquelle une partie du produit, tel qu'il vous a été fourni dans le cadre de ce contrat et utilisé selon les conditions de ce contrat, viole le copyright américain d'un tiers ou détourne les secrets industriels de ce tiers, à condition que vous : (i) avertissiez Sonos rapidement par écrit de la réclamation ; (ii) accordiez à Sonos le droit exclusif de contrôler et de mener la défense ou le règlement de cette réclamation ; et (iii) fournissiez à Sonos, aux frais de Sonos (à l'exception du temps passé), toutes les informations et l'aide nécessaires pour cette réclamation. Sonos paiera tous les montants, dommages et coûts finalement encourus dans la mesure attribuable à une telle réclamation. Vous pouvez participer à la défense de votre réclamation, à vos frais. Sonos ne sera en aucun cas responsable des coûts et dépenses encourus sans son autorisation écrite préalable.

(b) Limite d'indemnité. En dépit des informations susmentionnées, Sonos ne sera en aucun cas responsable d'une réclamation reposant sur : (i) votre utilisation d'un produit plus de trente (30) jours après que Sonos vous a averti par écrit qu'une utilisation continue du produit peut provoquer une telle action ; (ii) la combinaison du produit, ou d'une de ses parties, avec un autre matériel ou avec des produits non fournis par Sonos, entraînant une réclamation qui aurait été évitée si les produits n'avaient pas été combinés ainsi ; ou (iii) l'utilisation d'autres produits que ceux autorisés par ce contrat.

(c) Responsabilité complète. LES DISPOSITIONS SUSMENTIONNÉES DE CETTE SECTION 8 STIPULENT LA RESPONSABILITÉ COMPLÈTE ET LES OBLIGATIONS DE SONOS ET VOTRE RECOURS EXCLUSIF PAR RAPPORT À TOUTE CONTREFAÇON OU DÉTOURNEMENT RÉEL OU PRÉSUMÉ D'UN DROIT DE PROPRIÉTÉ INTELLECTUELLE PAR LE PRODUIT.

## **9. DIVERS**

Vous admettez que le produit peut être soumis aux réglementations et aux lois de contrôle des exportations des États-Unis et à tout amendement qui puisse y être apporté. Vous assurez que vous conformerez en tous points aux lois et réglementations des États-Unis en matière d'exportation. Ce contrat sera régi par la législation de l'État de Californie, sans référence à ses principes de conflits de lois.

Vous acceptez la compétence de la juridiction des cours fédérales et d'État de l'État de Californie. Le présent contrat constitue le contrat complet entre vous et Sonos en ce qui concerne l'objet de celui-ci et remplace l'ensemble des accords, communications ou contrats oraux ou écrits précédents qui ne sont pas spécifiquement intégrés ici. Si une disposition de ce contrat s'avère non valide ou non applicable suite à un décret ou à une décision judiciaire, le reste de ce contrat restera valide et applicable conformément à ses termes. Vous ne pouvez céder ce contrat, ni l'un de ses droits ou obligations, par une opération de loi ou un autre moyen, sans le consentement écrit préalable de Sonos. Toute tentative de cession de votre part sans consentement écrit préalable sera considérée comme nulle et non avenue.

Pour toute question relative à ce contrat, veuillez envoyer un message à l'adresse [support@sonos.com](mailto:support@sonos.com) ou composer le (800) 680-2345.

### **Sonos Australia**

Our goods come with guarantees that cannot be excluded under the Australian Consumer Law. You are entitled to a replacement or refund for a major failure and compensation for any other reasonably foreseeable loss or damage. You are also entitled to have the goods repaired or replaced if goods fail to be of acceptable quality and the failure does not amount to a major failure.

In the event you require assistance with your product during or after the 12 month warranty period, please contact your place of purchase, or alternatively contact Sonos Australia Pty Ltd via phone or email to obtain an RMA (Return Merchandise Authorisation). Please ensure an RMA is obtained prior to returning any faulty units to Sonos Australia Pty Ltd.

SONOS AUSTRALIA PTY LTD

378 Burwood Highway

Burwood East, Vic 3151

p. 1800 680 234

[support@sonos.com.au](mailto:support@sonos.com.au)

PLAYBACK SYSTEMS NEW ZEALAND

p. 06 833 6925

[support@playback.co.nz](mailto:support@playback.co.nz)

## 许可协议和有限保修

购买适用的 SONOS 产品（此类硬件和软件统称为“产品”）之前，请仔细阅读北京搜诺思科技有限公司（“SONOS”）提供的许可协议和有限保修（以下简称“协议”）的条款，其中就软件以及相关固件和文档（统称为“软件”）的使用作出了规定。

购买此产品，即表示：(1) 您已年满 18 周岁；(2) 您有权合法约束自身或您所在公司（如果适用）的行为；以及 (3) 同意遵守本协议的所有条款。如果您不完全同意这些条款或无法作出此类陈述，则请勿购买此产品。

### 1. 许可证的授予

(a) 根据本协议的条款和条件，Sonos 将授予您全球范围适用、非排他、不可转让的个人许可证（不得转授），使您可以：(i) 出于操作产品之目的而使用产品内含的软件；(ii) 在有效期内，在您拥有或控制的任何个人计算机上使用软件的桌面应用程序部分。不得将软件传输到任何其他计算机或将软件从产品中移除。不管 Sonos 在本协议中授予任何许可证，您都承认并同意，您对于自身在使用软件过程中遵守美国及国际版权法的情况负全部责任。

(b) 您同意不在适用的强制性法律禁止的情况下对产品进行复制、修改、反向工程、反编译或反汇编。除本协议授予的有限许可外，Sonos 及其供应商对软件内含的全球范围适用的知识产权保留所有权利。

Sonos 保留所有其他权利。您承认并同意，产品所含和用于创造产品的技术是极具价值的商业秘密，且是 Sonos 的专有技术，您不会向任何第三方披露您所掌握的此类商业秘密。

(c) Sonos 没有义务提供任何产品的更新或升级服务，如果有提供，此类更新、升级以及所有文档均应被视为“产品”，且应受本协议的条款和条件限制。

### 2. 协议条款

(a) 您只需通知 Sonos、停止使用产品并从计算机中将软件清除，便可以随时终止本协议。

(b) 如果您违反本协议中的第 1 条和 / 或第 3 条，本协议将自动终止。

(c) 因任何原因终止本协议或协议期满后，第 1(b)、2(c)、3、6(c)、7 和 9 条仍继续有效。

### 3. 遵守版权法

Sonos 一贯遵守美国及国际版权法，鉴于本协议授予的许可证，您也同意遵守这些法律。您承认，这些版权法禁止未经授权复制或发布音乐或其他使用产品访问的内容（以下简称“内容”），且您同意未经版权所有者的书面授权，不会直接或间接复制或发布任何内容。此外，您也同意依照第 3 部分条款的规定向 Sonos 或其许可方赔偿由 Sonos 或其许可方引起或与您的失误相关的所有损失、损坏、债务和费用。

### 4. SONOS 隐私政策

Sonos 产品的使用受 Sonos 隐私政策限制，该隐私政策被引入作为本协议的一部分，详情请浏览 [www.sonos.com/legal/privacy\\_policy.htm](http://www.sonos.com/legal/privacy_policy.htm)。Sonos 隐私政策概括了 Sonos 可以从您那里收集的信息类型及其对这些信息所具有的使用权限。您务必要阅读并理解该隐私政策的条款。

### 5. 第三方内容和技术支持

Sonos 有时会通过产品向第三方内容供应商提供访问权限。此外，Sonos 也可能支持某些第三方技术，如特定文件格式或编解码器。在任何时候、任何情况下，Sonos 均保留对停止访问和 / 或支持此类第三方内容或技术的权利。在选择或继续支持任何此类第三方内容或技术方面，Sonos 不作任何声明或保证。

### 6. 保修和免责声明

(a) **有限保修。** Sonos 向您保证，自购买产品之日起一年内，凡由于生产材料和制造工艺引起的质量缺陷均予以免费保修。SONOS 不保证产品在工作过程中不会中断或无错误，也不保证所有错误都可以修

正。如果您是用户，本保修是在您的法定权利基础之上补充提供的，并不影响您的法定权利。除第 6(c) 条规定以及与任何强制性消费者权益保护法有抵触外，Sonos 将决定其唯一责任以及您的唯一补救措施为维修或更换产品。如果上述两种措施均不适用，将会退还您支付金额的一部分，因为您已经使用过产品。

(b) **限制。**上述保证不适用于由于以下原因导致的产品问题：(i) 未成功实施 Sonos 提供的产品错误修复或错误修正；(ii) 以未经本协议规定或授权的方式使用该产品；或 (iii) 将该产品与其他产品，以及非 Sonos 提供且不符合 Sonos 文档规定的硬件或产品一同使用。

(c) **免责声明。**除上述明确规定外，Sonos 不对产品作出任何明示、暗示或法定保证。Sonos 及其供应商在此特别声明，拒绝承担所有其他明示、法定和暗示的保证和条款，包括适销性、特定使用的适合性、不侵犯性以及满意质量的隐含条件等暗示保证。除第 6(a) 条明确规定外，产品均“按原样”提供，不附带任何保证。您对于有目的性的产品选择、安装和使用负有全部责任。**某些司法管辖区不允许限制暗示保证，因此上述免责声明可能对您（尤其当您为用户时）不适用。**在您所在司法管辖区的法律范围内，任何情况下，您所在司法管辖区的法律允许的所有暗示保证均遵守上述有限保修条款 (a) 中的规定，在一年之内有效。此条目受限于中国强制性法律规定。

## 7. 责任限制

(a) 在法律允许的最大范围内，任何情况下，Sonos 及其供应商均有义务承担任何附带损害、特殊损害、间接损害、惩罚性损失赔偿或间接损害，包括但不限于任何原因引起的和基于所有责任理论的弥补费用、数据丢失、利润损失、业务中断、商业信息丢失，或由于使用（或无法使用）产品而引起的其他经济损失。

(b) 除法律另有规定外，任何情况下，Sonos 对一个或多个原因导致的所有损害的赔偿总额不得超过您为该产品支付的金额。

(c) 即使您曾经提醒 Sonos、其供应商或经销商可能会发生此类损失或告知要使用的方式，第 7 条中的限制仍适用。这些限制也同样适用于未达到任何有限补救措施的实质目的的情况。这些限制反映了对风险的合理分配。

(d) 第 7 条中的限制不适用于因 Sonos 一方故意或者重大过失所造成的损失。第 7 条中的限制也不适用于因 Sonos、其主管或任何第三方因故意、重大过失或未履行合同约定义务而引起的人身伤亡所造成的损失。对于产品责任，第 7 条中的限制仅适用于与产品责任有关的强制性规则允许的范围。

(e) 第 7 条中的限制不会对您作为用户所拥有的法定权利造成影响。

## 8. 侵权赔偿

(a) **赔偿。**如果您依照本协议规定和授权指控产品的任何部分侵犯了任何第三方的版权或侵占了该第三方的商业秘密，则只要发生以下情形，Sonos 均应对您提出的索赔、要求、诉讼或申诉（“索赔”）进行辩护或处理：(i) 及时向 Sonos 提出了索赔书面通知；(ii) 给予 Sonos 控制和安排辩护和处理索赔的排他权利；(iii) 向 Sonos 提供所有与索赔相关的必要信息和协助，相关费用由 Sonos 承担（但不补偿您损失的宝贵时间）。Sonos 应支付由此类索赔引致的所有理赔金额、损失和费用。您自行承担参与索赔辩护的费用。Sonos 无须承担任何未经事先书面规定的费用。

(b) **赔偿限制。**尽管有上述规定，但发生以下情形时，Sonos 概不对索赔负责：(i) Sonos 书面通知您如果继续使用该产品将可能产生此诉讼风险超过三十 (30) 天后，您仍可继续使用产品，并扣除部分折旧费后退还您购买产品的费用，以作为您停止使用所有产品的补偿；(ii) 将产品或其中任何部件与其他非 Sonos 生产的硬件或产品配合使用（如果该产品从未这样配合使用，索赔事件应避免这种情况发生）；或 (iii) 未经本协议授权使用该产品。

(c) **全部责任。**关于产品任何实际或被指控侵权或侵占知识产权方面，上述第 8 条规定列出了 Sonos 的全部责任和义务以及您的唯一补救措施。

## 9. 其他

您确认该产品受购买产品时相关出口管制法律法规的限制，并承诺将遵守所有相关的法律法规。本协议应受中国法律管辖，但不适用于与其冲突的法律规定。《联合国国际货物销售合同公约》不适用于本协议。本协议包含了您与 Sonos 就相关主题事件达成一致的所有条款，取代所有之前此处未明确规定的口头或书面说明、沟通或协议。如根据司法法令或决议，本协议任何条款经发现为无效或无强制力时，则依照其条款规定，本协议的其他条款仍有效且具有约束力。未经 Sonos 书面同意前，无论是否依照法律，均不得转让本协议或本协议下的任何权利或义务。如果您是用户，不得无理拒绝此书面同意。任何试图不经事先书面同意的转让行为均为无效。

根据《中华人民共和国产品质量法》、《中华人民共和国消费者权益保护法》及有关规定，本产品符合中国电子产品三包政策。如对本协议有任何疑问，请发送电子邮件至 support@sonos.com。

## 产品中有毒有害物质或元素的名称及含量

### The Table of Toxic and Hazardous Substances and Concentration

按照中国《电子信息产品污染控制管理办法》的要求

In accordance with the requirement of China's Management Methods for Controlling Pollution by Electronic Information Products

有害物质的名称及含量表  
Toxic and Hazardous Substances and Concentration

部件名称 (Parts)	铅 (Pb) Lead	汞 (Hg) Mercury	镉 (Cd) Cadmium	六价铬 (Cr6+) Hexavalent Chromium	多溴联苯 (PBB) Polybrominated Biphenyls	多溴二苯醚 (PBDE) Polybrominated Diphenyl Ethers
电子线路板 (PCBA)	X	O	O	O	O	O
塑料部件 (Enclosure Plastic Parts)	O	O	O	O	O	O
金属部件 (Enclosure Metal Parts)	X	O	O	O	O	O
电线与附件 (Cables & Accessories)	X	O	O	O	O	O
包装 (Packaging)	O	O	O	O	O	O

本表格依据 SJ/T 11364 的规定编制。

This table is prepared accordance with SJ/T 11364.

O: 表示该有毒有害物质在该部件所有均质材料中的含量均在GB/T 26572-2011标准规定的限量要求以下。

O: Indicates that the concentration of the hazardous substance in all homogeneous materials in the parts is below the relevant threshold of the GB/T 26572 standard.

X: 表示该有毒有害物质至少在该部件的某一均质材料中的含量超出 GB/T 26572-2011 标准规定的限量要求。

X: Indicates that the concentration of the hazardous substance of at least one of all homogeneous materials in the parts is above the relevant threshold of the GB/T 26572 standard.



该标志表明本产品含有超过 GB/T 26572 《电子电气产品中限用物质的限量要求》中限量的有害物质。标志中的数字为本产品的环保使用期，表明本产品在正常使用的条件下，有害物质不会发生外泄或突变，用户使用本产品不会对环境造成严重污染或对其人身、财产造成严重损害的期限。单位为年。

This symbol indicates the product contains hazardous materials exceeds the limits established by the Chinese standard GB/T 26572 requirements of concentration limits for certain restricted substances in electrical and electronic products. The number in the symbol is the Environment-Friendly Use Period (EFUP), which indicates the period during which the hazardous substances contained in electrical and electronic products will not leak or mutate under normal operating conditions so that the use of such electrical and electronic products will not result in any severe environmental pollution, any bodily injury or damage to any assets. The unit of the period is "Year".

## Regulatory Information

### EUROPE



#### [Hrvatski]

Sonos izjavljuje da je ovaj proizvod usklađen sa Direktivi RoHS 2011/65/EU. Kopiju pune Deklaracije sukladnosti možete preuzeti na [www.sonos.com/support/policies](http://www.sonos.com/support/policies).

#### [Čeština]

Společnost Sonos prohlašuje, že tento výrobek splňuje požadavky směrnice o nebezpečných látkách 2011/65 / EU. Kopii úplného prohlášení o shodě najdete na [www.sonos.com/support/policies](http://www.sonos.com/support/policies).

#### [Dansk]

Sonos erklærer hermed, at dette produkt overholder kravene i RoHS Direktiv 2011/65 / EU. En kopi af den komplette Declaration of Conformance kan hentes på [www.sonos.com/support/policies](http://www.sonos.com/support/policies).

#### [Nederlands]

Sonos verklaart dat dit product voldoet aan de vereisten van de RoHS-richtlijn 2011/65 / EC. Een kopie van de volledige verklaring van conformiteit kan worden verkregen op [www.sonos.com/support/policies](http://www.sonos.com/support/policies).



**[English]**

Sonos declares that this product herewith complies with the requirements of the RoHS Directive 2011/65/ EU. A copy of the full Declaration of Conformance may be obtained at [www.sonos.com/support/policies](http://www.sonos.com/support/policies).

**[Eesti keel]**

Sonos deklareerib, et toode vastab RoHS RoHS 2011/65 / EU nõuetele. Vastavusdeklaratsiooni täistekst on saadaval aadressil [www.sonos.com/support/policies](http://www.sonos.com/support/policies).

**[Suomi]**

Sonos vakuuttaa täten, että tämä tuote täyttää RoHS-direktiivin 2011/65 / EY vaatimukset. Täydellinen vaatimustenmukaisuusvakuutus on saatavana osoitteessa [www.sonos.com/support/policies](http://www.sonos.com/support/policies).

**[Français]**

Sonos déclare que le produit fourni est conforme aux exigences de la directive RoHS 2011/65 / EU. Une copie de la déclaration de conformité complète peut être obtenue sur le site Web [www.sonos.com/support/policies](http://www.sonos.com/support/policies).

**[Deutsch]**

Sonos erklärt, dass dieses Produkt den Anforderungen der RoHS-Richtlinie 2011/65 / EU entspricht. Eine Kopie der vollständigen Konformitätserklärung steht unter [www.sonos.com/support/policies](http://www.sonos.com/support/policies).

**[Ελληνικά]**

H Sonos δηλώνει ότι αυτό το προϊόν συμμορφώνεται με τις απαιτήσεις της Οδηγίας RoHS 2011/65 / EE. Αντίγραφο της πλήρους δήλωσης συμμόρφωσης είναι διαθέσιμο στη διεύθυνση [www.sonos.com/support/policies](http://www.sonos.com/support/policies).

**[Magyar]**

A Sonos ezúton kijelenti, hogy ez a termék megfelel az Európai Parlament és a Tanács 2011/65 / EU irányelvének a RoHS irányelv rendelkezéseinek. A megfelelőségi nyilatkozat teljes változata itt található: [www.sonos.com/support/policies](http://www.sonos.com/support/policies).

**[Italiano]**

Sonos dichiara che questo prodotto è conforme ai requisiti della direttiva RoHS 2011/65 / UE. Una copia della versione completa della dichiarazione di conformità è disponibile alla pagina [www.sonos.com/support/policies](http://www.sonos.com/support/policies).

**[Latviski]**

Sonos deklarē, ka šis produkts atbilst RoHS direktīvai 2011/65. Atbilstības deklarāciju var iegūt [www.sonos.com/support/policies](http://www.sonos.com/support/policies).

**[Lietuvių k.]**

„Sonos“ pareiškia, kad šis produktas atitinka RoHS direktyvos 2011/65 / ES reikalavimus. Visos atitikties deklaracijos kopiją galima rasti interneto puslapyje [www.sonos.com/support/policies](http://www.sonos.com/support/policies).

**[Malti]**

Sonos jiddikjara li dan il-prodott hawn jikkonforma mar-rekwiżiti tad-Direttiva RoHS 2011/65 / UE. Kopja tad-Dikjarazzjoni ta' Konformità shiha tista' tinkiseb fuq [www.sonos.com/support/policies](http://www.sonos.com/support/policies).

**[Norsk]**

Sonos erklærer at dette produktet oppfyller kravene i RoHS-direktivet 2011/65 / EU. Du finner en kopi av den komplette samsvarserklæringen på [www.sonos.com/support/policies](http://www.sonos.com/support/policies).

**[Polski]**

Sonos oświadcza, że ten produkt spełnia wymagania Dyrektywy 2011/65 / UE (Dyrektywa RoHS). Kopia pełnej deklaracji zgodności jest dostępna na stronie [www.sonos.com/support/policies](http://www.sonos.com/support/policies).

**[Português]**

A Sonos declara que este produto está em conformidade com os requisitos da Diretiva RoHS 2011/65 / EU. Uma cópia de toda a Declaração de Conformidade pode ser obtida em [www.sonos.com/support/policies](http://www.sonos.com/support/policies).

**[Română]**

Sonos declară prin prezenta că produsul respectă cerințele Directivei 2011/65 / UE privind restricțiile privind utilizarea anumitor substanțe periculoase. Puteți obține o copie a Declarației de Conformitate complete la adresa [www.sonos.com/support/policies](http://www.sonos.com/support/policies).

**[Slovensky]**

Spoločnosť Sonos vyhlasuje, že tento výrobok spĺňa požiadavky smernice 2011/65 / EÚ o ONL. Kópia úplného vyhlásenia o zhode je k dispozícii na stránke [www.sonos.com/support/policies](http://www.sonos.com/support/policies).

**[Slovenščina]**

Sonos izjavlja, da ta izdelek ustreza zahtevam Direktive o omejevanju uporabe nekaterih nevarnih snovi v električni energiji. Izvod celotne izjave o skladnosti je na voljo na spletni strani [www.sonos.com/support/policies](http://www.sonos.com/support/policies).

**[Español]**

Sonos declara que este producto cumple con los requisitos de diseño ecológico de la Directiva RoHS 2011/65 / EU. Puede obtener una copia de la Declaración de conformidad completa en [www.sonos.com/support/policies](http://www.sonos.com/support/policies).

**[Svenska]**

Sonos intygar härmed att produkten uppfyller kraven i RoHS-direktivet 2011/65 / EU. En kopia av hela Konformitetsdeklarationen finns på [www.sonos.com/support/policies](http://www.sonos.com/support/policies).

**Recycling Information**

This symbol on the product or on its packaging indicates that this product shall not be treated as household waste. Instead please deliver it to the applicable collection point for the recycling of electrical and electronic equipment. By recycling this product correctly, you will help conserve natural resources and prevent potential negative environmental consequences. For more detailed information about recycling of this product, please contact your local city office, your household waste disposal service or the shop where you purchased the product.

## (معلومات مهمة للسلامة) العربية)

1. اقرأ هذه الإرشادات.
2. احتفظ بهذه الإرشادات.
3. انتبه إلى جميع التحذيرات.
4. اتبع جميع الإرشادات.
5. تجنب استخدام هذا الجهاز بالقرب من المياه.
6. لا تستخدم إلا قطعة قماش ناعمة وجافة لتنظيف هذا الجهاز؛ حيث إن المنظفات المنزلية أو المذيبات قد تلحق ضرراً بالبلاء.
7. تجنب سد أي فتحة من فتحات التهوية، واحرص على اتباع الإرشادات المقدمة من جهة التصنيع عند التركيب.
8. لا تقم بالتركيب بالقرب من أية مصادر حرارية كالمبردات أو شفاطات الحرارة أو المواقد أو أي جهاز آخر تنبعث منه حرارة.
9. احرص على ألا يمشی أحد أو يضغط فوق كبل الطاقة، خاصة فوق مقابس التوصيل ومقابس الملاءمة وموقع خروجها من الجهاز.
10. لا تستخدم إلا المرفقات/الملحقات التي حددتها جهة التصنيع.
11. أفضل هذا الجهاز عن مصدر التيار الكهربائي أثناء العواصف الرعدية أو عند عدم استخدامه لفترات زمنية طويلة.
12. إذا كنت بحاجة إلى إجراء أية أعمال صيانة، يلزم إجراء أعمال الصيانة Sonos رجي الرجوع إلى موظف صيانة مؤهل لدى للجهاز عند تلفه بأي طريقة كتنف مقيس أو كبل الإمداد بالطاقة، أو انسكاب سائل على الجهاز، أو سقوط أشياء بداخله، أو تعرضه للمطر أو الرطوبة، أو عدم عمله بصورة طبيعية، أو سقوطه.
13. يجب أن يكون قابس سلك التوصيل الرئيسي متوفراً كي يمكن فصل الجهاز.
14. تحذير: للحد من خطر التعرض لحريق أو صدمة كهربائية، لا تعرض هذا الجهاز للمطر أو الرطوبة.



15. تجنب تعريض الجهاز لقطرات سائلة أو رذاذ ولا تضع أشياء مليئة بالسوائل، كالكؤوس، عليه.

### Važne sigurnosne informacije (Hrvatski)

1. Pročitajte ove upute.
2. Sačuvajte ove upute.
3. Pridržavajte se svih upozorenja.
4. Slijedite sve upute.
5. Ne koristite ovaj uređaj u blizini vode.
6. Čistite isključivo suhom mekom krpom. Deterđženti za domaćinstvo ili otapala mogu oštetiti površinu vaših Sonos komponenti.
7. Ne blokirajte ventilacijske otvore. Instalirajte u skladu s uputama proizvođača.
8. Ne postavljajte u blizini izvora topline, kao što su radijatori, grijalice, štednjaci, ili drugi uređaji koji proizvode toplinu.

9. Mrežni kabel zaštitite i pazite da se preko njega ne hoda, da ga se ne priklješti, posebice utikače, utičnice, i mjesto na kojem kabel izlazi iz uređaja.
10. Koristite samo dodatke/pribor koje je naveo proizvođač.
11. Tijekom grmljavinskog nevremena, ili kada se uređaj ne koristi na duže vrijeme, izvucite utikač iz utičnice.
12. Sve popravke mora obaviti kvalificirano servisno osoblje tvrtke Sonos. Servisiranje je potrebno ako je uređaj na bilo koji način oštećen, kao što je primjerice oštećenje mrežnog kabela, ulazak tekućine ili drugih predmeta u uređaj, ukoliko je uređaj bio izložen kiši ili vlazi, ako ne radi normalno ili ako je pao.
13. Utikač mora biti dostupan kako bi se u slučaju potrebe opremu moglo brzo isključiti.



**14. Upozorenje:** Kako biste umanjili rizik od požara ili strujnog udara, uređaj ne izlažite kiši ili vlazi.

15. Uređaj ne izlažite prskanju niti kapanju tekućina, i na njega ne postavljajte predmete koji sadrže tekućine (npr. vaze).

## Důležité informace o bezpečnosti (Čeština)


1. Přečtěte si tyto pokyny.
2. Pečlivě uschovejte tyto pokyny.
3. Dbejte všech upozornění.
4. Dodržujte všechny pokyny.
5. Nepoužívejte tento přístroj v blízkosti vody.
6. Čistěte pouze suchou a jemnou utěrkou. Čisticí prostředky pro domácnost nebo rozpouštědla mohou poškodit povrch vašich komponentů přístroje Sonos.
7. Neblokujte větrací otvory. Instalujte v souladu s pokyny výrobce.
8. Nepoužívejte v blízkosti zdrojů tepla jako radiátorů, ohřívačů vzduchu, kamen nebo jiných přístrojů, které vytváří teplo.
9. Chraňte napájecí kabel před pošlapáním nebo přiskřípnutím, zejména u zástrček, zásuvek a u místa vstupu z přístroje.
10. Používejte pouze přípojky/příslušenství určené výrobcem.
11. Odpojte přístroj při bouřce nebo při delším odstavení.
12. Veškeré potřebné opravy nahlaste kvalifikovanému personálu společnosti Sonos. Oprava je nutná, pokud: byl přístroj nějakým způsobem poškozen, je poškozen napájecí kabel nebo zástrčka, došlo k vylití tekutiny na přístroj nebo upadnutí nějakého objektu na přístroj, byl přístroj vystaven dešti nebo vlhku, přístroj nefunguje normálně nebo spadl na zem.
13. Síťová zástrčka musí být snadno dostupná pro odpojení zařízení.




**14. Upozornění:** Za účelem snížení rizika požáru nebo úrazu elektrickým proudem nevystavujte přístroj dešti nebo vlhku.

15. Nevystavujte přístroj kapající nebo stříkající vodě a nepokládejte na přístroj předměty naplněné tekutinou, jako např. vázy.


**Vigtig sikkerhedsinformation (Dansk)**

1. Læs disse instruktioner.
  2. Opbevar disse instruktioner.
  3. Overhold alle advarsler.
  4. Følg alle instruktioner.
  5. Brug ikke dette apparat tæt ved vand.
  6. Rengør kun med en tør, blød klud.
  7. Undlad at blokere ventilationsåbninger. Installér i overensstemmelse med producentens instruktioner.
  8. Installér ikke tæt ved varmekilder såsom radiatorer, ovne eller andre apparater, som producerer varme.
  9. Beskyt strømkablet fra at blive trådt på eller klemt, især ved stik, stikdåser og punktstik, hvor de udgår fra apparatet.
  10. Brug kun tilslutningsenheder/tilbehør som angivet af producenten.
  11. Træk stikket ud fra dette apparat under storme med lynnedslag, eller hvis det ikke skal bruges i længere tid.
  12. Overlad al eftersyn til kvalificeret servicepersonale. Eftersyn er påkrævet, hvis apparatet på nogen måde er blevet skadet, såsom beskadiget strømforsyningskabel eller stik, hvis der er spildt væske, eller genstande er faldet ned på apparatet, eller hvis apparatet er blevet udsat for regn eller fugt, ikke fungerer normalt eller er blevet tabt.
  13. Stikket skal nemt kunne frakobles fra udstyret.
-  **14. Advarsel:** Undlad at udsætte apparatet for regn eller fugt for at reducere risikoen for brand og elektrisk stød.
15. Udsæt ikke apparatet for dryp eller sprøjt, og placér ikke genstande fyldt med væsker, såsom vaser, på apparatet.

## Belangrijke veiligheidsinformatie (Nederlands)

1. Lees deze instructies.
  2. Bewaar deze instructies.
  3. Neem alle waarschuwingen in acht.
  4. Volg alle instructies op.
  5. Gebruik deze apparatuur niet in de buurt van water.
  6. Maak de apparaten alleen schoon met een droge, zachte doek. Huishoudelijke schoonmaak- of oplosmiddelen kunnen de afwerking van Sonos-componenten beschadigen.
  7. Blokkeer de ventilatiegaten niet. Installeer apparaten volgens de instructies van de fabrikant.
  8. Installeer apparaten niet in de buurt van warmtebronnen, zoals radiatoren, ventilatieroosters, kachels of andere apparaten die warmte afgeven.
  9. Zorg ervoor dat er niet over het netsnoer kan worden gelopen en dat dit niet bekneld kan raken, vooral niet bij de stekkers, bij stopcontacten en op het punt waar de snoeren het apparaat verlaten.
  10. Gebruik alleen door de fabrikant gespecificeerde accessoires.
  11. Haal bij onweer of als u het apparaat gedurende een lange periode niet gebruikt, de stekker uit het stopcontact.
  12. Laat alle onderhoud uitvoeren door gekwalificeerd onderhoudspersoneel van Sonos. Onderhoud is nodig wanneer het apparaat schade heeft opgelopen, bijvoorbeeld wanneer een netsnoer of stekker is beschadigd, vloeistof of een voorwerp in het apparaat is terechtgekomen, het apparaat is blootgesteld aan regen of vocht, het apparaat niet naar behoren functioneert of het apparaat op de grond is gevallen.
  13. De stekker in het stopcontact moet gemakkelijk bereikbaar zijn om de stroomvoorziening af te kunnen sluiten.
-  **14. Waarschuwing:** Stel het apparaat niet bloot aan regen of vocht om het risico op brand of elektrische schokken te beperken.
15. Stel het apparaat niet bloot aan druppels of spatten en plaats geen met vloeistof gevulde voorwerpen, zoals vazen, op het apparaat.

## Important Safety Information (English)

1. Read these instructions.
  2. Keep these instructions.
  3. Heed all warnings.
  4. Follow all instructions.
  5. Do not use this apparatus near water.
  6. Clean only with dry soft cloth. Household cleaners or solvents can damage the finish on your Sonos components.
  7. Do not block any ventilation openings. Install in accordance with the manufacturer's instructions.
  8. Do not install near any heat sources such as radiators, heat registers, stoves, or other apparatus that produce heat.
  9. Protect the power cable from being walked on or pinched, particularly at plugs, convenience receptacles, and the point where they exit from the apparatus.
  10. Only use attachments/accessories specified by the manufacturer.
  11. Unplug this apparatus during lightning storms or when unused for long periods of time.
  12. Refer all servicing to Sonos qualified service personnel. Servicing is required when the apparatus has been damaged in any way, such as power-supply cable or plug is damaged, liquid has been spilled or objects have fallen into the apparatus, the apparatus has been exposed to rain or moisture, does not operate normally, or has been dropped.
  13. The Mains plug should be readily available to disconnect the equipment.
-  **14. Warning:** To reduce the risk of fire or electric shock, do not expose this apparatus to rain or moisture.
15. Do not expose apparatus to dripping or splashing and do not place objects filled with liquids, such as vases, on the apparatus.



## Oluline ohutusalaane informatsioon (Eesti keel)


1. Lugege juhised läbi.
2. Hoidke need kättesaadavas kohas.
3. Pöörake tähelepanu kõigile hoiatustele.
4. Järgige kõiki juhiseid.
5. Ärge kasutage seadet vee läheduses.
6. Puhastage ainult kuiva ja pehme riidest lapiga. Majapidamises kasutatavad puhastusvahendid või lahustid võivad Sonose detailide viimistlust vigastada.
7. Ärge tõkestage ventilatsiooniavasid. Järgige paigaldamisel tootjapoolseid juhiseid.
8. Ärge paigaldage soojusallikate (nagu näiteks radiaatorid, küttekanalite avad, ahjud või muud soojusallikad) lähedusse.
9. Asetage toitekaabel nii, et sellele ei astutaks peale ega sellele ei avaldataks survet, eriti pistikute ja pistikupesade juures ning kohas, kus kaabel väljub seadmest.
10. Kasutage ainult tootja poolt lubatud lisaseadmeid/tarvikuid.
11. Äikesetormi ajal või juhul, kui seadet ei kasutata pikema aja vältel, võtke seade kontaktist välja.
12. Sonose seadmete hoolduseks pöörduge kvalifitseeritud personali poole. Seade vajab hooldust, kui see on saanud vigastada, näiteks toitekaabel või -pistik on vigastatud, seadmele on tilkunud vedelikku või sellesse on kukkunud mingi ese, seade on jäänud vihma või niiskuse kätte, ei tööta nõuetekohaselt või on maha kukkunud.
13. Toitepistik peaks olema kergesti juurdepääsetav, et seade vajadusel lahti ühendada.



**14. Hoiatus!** Tuleohu või elektrilöögihou vältimiseks ärge jätke seadet vihma ega niiskuse kätte.

15. Ärge paigutage seadet kohta, kus sellele võib vedelikku peale tilkuda või pritsida, ja ärge asetage seadmele vedelikuga täidetud esemeid (näiteks vaase).

## Tärkeitä turvallisuustietoja (Suomi)

1. Lue nämä ohjeet.
  2. Säilytä nämä ohjeet.
  3. Ota huomioon kaikki varoitukset.
  4. Noudata kaikkia ohjeita.
  5. Älä käytä tätä laitetta veden lähettyvillä.
  6. Puhdista ainoastaan kuivalla, pehmeällä liinalla. Kodin puhdistusaineet tai liuottimet voivat vaurioittaa Sonos-komponenttien pintaa.
  7. Älä tuki tuuletusaukkoja. Suorita asennus valmistajan ohjeiden mukaisesti.
  8. Älä asenna lämmönlähteiden, kuten patterien, lämmittimien ja liesien, tai muiden lämpöä tuottavien laitteiden lähelle.
  9. Aseta virtajohto siten, että sen päälle ei astuta tai että se ei joudu puristuksiin erityisesti pistorasian tai laitteen päästä.
  10. Käytä ainoastaan valmistajan määrittlemiä lisälaitteita/lisävarusteita.
  11. 11. Irrota laite pistorasiasta ukkosella ja silloin, kun sitä ei käytetä pitkään aikaan.
  12. Anna ainoastaan Sonosin valtuutetun huoltohenkilöstön huoltaa laitetta. Huolto on tarpeen, jos laite vahingoittuu, kuten jos virtajohto tai pistoke vahingoittuu, laitteen päälle läikkyä nestettä, sen sisään putoaa jotain, se on altistunut sateelle tai kosteudelle, se ei toimi tai on pudonnut.
  13. Virtapistokkeen tulee olla helposti saatavilla laitteen irtikytkemistä varten.
-  **14. Varoitus:** Suojaa laite sateelta ja kosteudelta sähköisku- ja tulipalovaaran estämiseksi.
15. Älä altista laitetta tippuvalle tai roiskuvalle nesteelle äläkä aseta nestettä sisältäviä esineitä, kuten maljakoita, laitteen päälle.

## Informations importantes relatives à la sécurité (Français)

1. Lisez attentivement ces instructions.
2. Conservez ces instructions.
3. Respectez tous les avertissements.
4. Suivez toutes les instructions.
5. N'utilisez pas cet appareil à proximité de l'eau.
6. Nettoyez cet appareil uniquement à l'aide d'un chiffon sec et doux.
7. N'obstruez aucun orifice de ventilation. Installez cet appareil conformément aux instructions du fabricant.
8. Ne placez pas cet appareil à côté d'une source de chaleur telle qu'un radiateur, une bouche de chauffage, une cuisinière ou tout autre appareil produisant de la chaleur.
9. Protégez le câble d'alimentation afin de ne pas marcher dessus, ni le pincer, en particulier au niveau des fiches, des prises de courant et de l'endroit d'où ils sortent de l'appareil.
10. Utilisez uniquement les équipements/accessoires recommandés par le fabricant.
11. Débranchez cet appareil en cas d'orage ou lorsqu'il n'est pas utilisé pendant une longue période.
12. Confiez la réparation et l'entretien à un personnel qualifié de Sonos. L'appareil nécessite réparation lorsqu'il est endommagé de quelque manière que ce soit, notamment si le cordon d'alimentation ou la fiche est endommagé(e), si du liquide a été versé sur l'appareil, si des objets sont tombés à l'intérieur, si l'appareil a été exposé à la pluie ou à l'humidité, s'il ne fonctionne pas correctement ou s'il est tombé.
13. La prise d'alimentation secteur doit être facilement accessible pour débrancher l'appareil.



**14. Avertissement :** afin de limiter les risques d'incendie ou d'électrocution, n'exposez pas cet appareil à la pluie, ni à l'humidité.

15. N'exposez jamais cet appareil aux projections ou aux écoulements d'eau et ne posez jamais un récipient contenant un liquide, tel qu'un vase, sur l'appareil.

## Wichtige Sicherheitsinformationen (Deutsch)

1. Lesen Sie diese Anweisungen.
2. Bewahren Sie diese Anweisungen auf.
3. Beachten Sie alle Warnungen.
4. Befolgen Sie alle Anweisungen.
5. Verwenden Sie das Gerät nicht in der Nähe von Wasser.
6. Reinigen Sie die Geräte nur mit einem trockenen, weichen Tuch.
7. Blockieren Sie keine Lüftungsöffnungen. Befolgen Sie bei der Installation die Anweisungen des Herstellers.
8. Installieren Sie das Produkt nicht in der Nähe von Wärmequellen, wie z. B. Heizkörpern, Warmluftauslässen, Öfen oder anderen Geräten, die Wärme produzieren.
9. Verhindern Sie, dass auf das Netzkabel getreten oder dass es geklemmt wird. Dies gilt insbesondere für Stecker und den Austrittsort der Kabel am Gerät.
10. Verwenden Sie ausschließlich die durch den Hersteller spezifizierten Zubehörprodukte.
11. Trennen Sie das Gerät bei Gewitter oder längeren Nutzungspausen von der Stromversorgung.
12. Lassen Sie alle Wartungsarbeiten von qualifiziertem Sonos-Service-Personal durchführen. Eine Wartung ist erforderlich, wenn das Gerät beschädigt wurde, z. B. bei beschädigten Netzkabeln oder Steckern, wenn Flüssigkeit über dem Produkt verschüttet wurde oder Objekte hineingefallen sind, das Gerät Feuchtigkeit oder Regen ausgesetzt war, nicht ordnungsgemäß funktioniert oder heruntergefallen ist.
13. Der Netzstecker sollte gut zugänglich sein, um das Gerät jederzeit von der Stromversorgung trennen zu können.



**14. Warnung:** Setzen Sie das Gerät nicht Regen oder Feuchtigkeit aus, um das Risiko eines Brandes oder Stromschlags zu reduzieren.

15. Platzieren Sie keine mit Flüssigkeit gefüllten Behälter, wie z. B. Vasen, auf dem Gerät, um es vor Spritzwasser zu schützen.

## Σημαντικές πληροφορίες για την ασφάλειά σας (Ελληνικά)


1. Διαβάστε αυτές τις οδηγίες.
2. Φυλάξτε αυτές τις οδηγίες.
3. Τηρείτε όλες τις προειδοποιήσεις.
4. Ακολουθήστε όλες τις οδηγίες.
5. Μην χρησιμοποιείτε αυτήν τη συσκευή κοντά στο.
6. Να καθαρίζετε μόνο με στεγνό πανί. Τα οικιακά καθαριστικά ή διαλύτες μπορεί να φθείρουν το φινιρίσμα των στοιχείων της Sonos.
7. Μην φράζετε τα ανοίγματα του εξερισμού. Εγκαταστήστε σύμφωνα με τις οδηγίες του κατασκευαστή.
8. Μην τοποθετείτε τη συσκευή κοντά σε πηγές θερμότητας, όπως καθοριφέρ, μηχανισμούς εκροής θερμού αέρα, θερμάστρες ή άλλες συσκευές που εκπέμπουν θερμότητα.
9. Προστατεύστε το καλώδιο ρεύματος, ώστε να μην πατηθεί ή τσακιστεί, ιδιαίτερα στα βύσματα, στις πρίζες και στο σημείο εξόδου από τη συσκευή.
10. Χρησιμοποιήστε μόνο τα πρόσθετα εξαρτήματα που καθορίζονται από τον κατασκευαστή.
11. Αποσυνδέστε τη συσκευή σε περίπτωση που δεν χρησιμοποιείται για μεγάλο χρονικό διάστημα ή κατά τη διάρκεια ηλεκτρικών καταιγίδων.
12. Απευθυνθείτε σε εξειδικευμένο προσωπικό της Sonos για όλα τα θέματα επισκευής. Η συσκευή χρειάζεται επισκευή σε περίπτωση που έχει υποστεί οποιαδήποτε ζημιά, για παράδειγμα, αν έχει καταστραφεί το καλώδιο ρεύματος ή το βύσμα, αν έχει χυθεί υγρό ή αν έχουν πέσει αντικείμενα στο εσωτερικό της συσκευής, αν η συσκευή έχει εκτεθεί σε βροχή ή υγρασία, αν δεν λειτουργεί κανονικά ή αν έχει πέσει κάτω.
13. Το βύσμα δικτύου τροφοδοσίας πρέπει να είναι άμεσα διαθέσιμο για να αποσυνδέσετε τον εξοπλισμό.



**14. Προειδοποίηση:** Για να μειώσετε τον κίνδυνο πυρκαγιάς ή ηλεκτροπληξίας, μην αφήνετε την παρούσα συσκευή εκτεθειμένη σε βροχή ή υγρασία.

15. Η συσκευή δεν πρέπει να εκτίθεται σε υγρά που στάζουν ή πιτσιλιούν και δεν πρέπει να τοποθετείτε επάνω της αντικείμενα γεμάτα με υγρά, όπως βάζα.

## Fontos biztonsági információk (Magyar)

1. Olvassa el ezeket az utasításokat.
  2. Tartsa meg ezeket az utasításokat.
  3. Tartson be minden figyelmeztetést.
  4. Kövessen minden utasítást.
  5. Ne használja a berendezést víz közelében.
  6. Csak száraz, puha ruhadarabbal tisztítsa. A háztartási tisztító- vagy oldószerek megsérthetik a Sonos komponensek felületét.
  7. Ne takarja le a szellőző nyílásokat. A gyártó utasításainak megfelelően telepítse.
  8. Ne telepítse hőforrások (radiátorok, hősugárzók, kályhák) vagy más, hőt kibocsátó berendezések közelében.
  9. Védje a tápkábelt megtaposás vagy becsípődés ellen, különösen a dugók, csatlakozók közelében és ott, ahol az kilép a berendezésből.
  10. Csak a gyártó által meghatározott kiegészítőket/tartozékokat használjon.
  11. A berendezést húzza ki a fali aljzatból villámláskor, vagy ha tudja, hogy hosszabb ideig nem fogja használni.
  12. Minden javítást bízjon a Sonos szakképzett személyzetére. Javítás akkor szükséges, ha a berendezést bármilyen módon megsérült - pl. megsérült a tápkábel vagy a csatlakozó megsérült, a berendezésbe folyadék ömlött vagy valamilyen tárgy esett, a berendezést kitette eső vagy nedvesség hatásának, nem működik megfelelően vagy leesett.
  13. A fő tápkábelnek mindig hozzáférhetőnek kell lennie, hogy bármikor kihúzhassa.
-  **14. Figyelmeztetés:** A tűz- vagy áramütés veszély csökkentése érdekében ne tegye ki a berendezést esőnek vagy nedvességnek.
15. Ne tegye ki a berendezést csepegő vagy fröccsenő víznek, és ne helyezzen rá vízzel megtöltött tárgyakat, pl. vázákat.

## Informazioni importanti per la sicurezza (Italiano)

1. Leggere le seguenti istruzioni.
2. Conservare queste istruzioni.
3. Prestare attenzione a tutti gli avvisi.
4. Seguire tutte le istruzioni.
5. Non utilizzare questo dispositivo in prossimità dell'acqua.
6. Pulire solo con un panno morbido asciutto. I detersivi o solventi per le pulizie di casa possono danneggiare la rifinitura dei componenti Sonos.
7. Non ostruire i fori di aerazione. Effettuare l'installazione in modo conforme alle istruzioni del costruttore.
8. Non installare in prossimità di fonti di calore, ad esempio termosifoni, stufe o altri apparati che generino calore.
9. Evitare che il cavo di alimentazione sia calpestato o schiacciato, soprattutto in corrispondenza delle spine, delle prese multiple e del punto di uscita dall'apparecchio.
10. Utilizzare solo accessori indicati dal costruttore.
11. Scollegare il dispositivo dalla presa di corrente durante temporali o se non viene utilizzato per lunghi periodi di tempo.
12. Rivolgersi per l'assistenza solo a personale qualificato Sonos. L'assistenza è necessaria quando il dispositivo subisce qualsiasi tipo di danno, ad esempio al cavo di alimentazione o alla spina, se si versano liquidi o cadono oggetti sul dispositivo, se il dispositivo è stato esposto alla pioggia o all'umidità, se non funziona correttamente oppure è caduto per terra.
13. La spina che si inserisce nella presa di corrente deve essere facilmente raggiungibile per scollegare rapidamente il dispositivo.



**14. Avviso:** Per ridurre il rischio di incendio o di scossa elettrica, non esporre il dispositivo a pioggia o umidità.

15. Il dispositivo non deve essere esposto a gocciolamenti o spruzzi e nessun tipo di oggetto contenente liquidi, ad esempio vasi, deve essere appoggiato su di esso.

## 重要な安全上の情報（日本語）

1. 説明書をお読みください。
2. 説明書を保管しておいてください。
3. 警告には従ってください。
4. 指示にはすべて従ってください。
5. 機器を水の近くで使用しないでください。
6. 乾いた柔らかい布できれいにしてください。家庭用クリーナーや溶剤によって、Sonos コンポーネントの表面が破損する可能性があります。
7. 換気口を防がないでください。製造元の指示に従ってインストールを行ってください。
8. ラジエーター、ヒートレジスター、ストーブ、もしくは暖房器具の近くに設置しないでください。
9. 電源ケーブル、特にプラグ、延長コード、およびそれらが機器から出ている部分が踏まれたり、ねじれたりすることがないように保護してください。
10. 製造元が指定した付属品またはアクセサリのみを使用してください。本製品に同梱または付属しております電源コードは、本製品専用です。本製品以外の製品ならびに他の用途に使用しないで下さい。
11. 雷雨のとき、および長期にわたり使用しない場合は、電源を抜いてください。
12. すべての修理に関しては認定サービス員にお問い合わせ下さい。電源ケーブルまたはプラグが破損した、液体をこぼした、物を機器に落とした、機器を風雨にさらした、正常に動作しない、または落下させてしまったなどの事情で、装置が破損した場合は修理が必要となります。
13. 電源プラグは、万が一の場合にすぐに抜けるように、手の届き易い場所に差し込んでください。



**14. 警告:** 火災や電気ショックを避けるために、機器を風雨にさらさないようにしてください。

15. 機器を水にさらさないでください。機器の上に花瓶などの液体の入った物体をおかないでください。

**Note:** 屋内専用W52 / W53.



この装置は、クラスB機器です。この装置は、住宅環境で使用することを目的としていますが、この装置がラジオやテレビジョン受信機に近接して使用されると、受信障害を引き起こすことがあります。

取扱説明書に従って正しい取り扱いをして下さい。

VCCI - B

## Svarīga drošības informācija (Latviski)


1. Izlasiet šīs instrukcijas.
2. Saglabājiet šīs instrukcijas.
3. Ņemiet vērā visus brīdinājumus.
4. Ievērojiet visus norādījumus.
5. Neizmantojiet šo ierīci ūdens tuvumā.
6. Tiriet tikai ar sausu, mikstu drānu. Sadzīves tīrīšanas līdzekļi vai šķīdinātāji var sabojāt Sonos komponentu apdāri.
7. Nenosprostojiet ventilācijas atveres. Uztādiet atbilstoši ražotāja norādījumiem.
8. Neuzstādiat tuvu siltuma avotiem, piemēram, radiatoriem, siltuma reģistrētājiem, krāsnīm vai citām ierīcēm, kas rada siltumu.
9. Aizsargājiet strāvas kabeli, lai uz tā nevarētu uzkāpt vai to iespiest, it īpaši pie spraudņiem, ligzdām un ierīces izejas vietām.
10. Izmantojiet tikai ražotāja norādītās pierīces/piederumus.
11. Atslēdziet šo ierīci pērķona negaisu vai ilgstošas neizmantošanas laikā.
12. Visi apkopes darbi ir jāveic Sonos kvalificētam apkopes personālam. Apkope ir nepieciešama, ja ierīcei ir radušies bojājumi, piemēram, ir bojāts strāvas kabelis vai spraudnis, tai ir uzšakstījies šķīdums vai ierīcē ir iekrituši kādi priekšmeti, ierīce tikusi pakļauta lietus vai mitruma iedarbībai, nedarbojas normāli vai ir nokritusi.
13. Vienmēr jābūt pieejamai kontaktdakšai, lai atvienotu aprīkojumu.



**14. Brīdinājums!** Lai samazinātu elektrošoka risku, nepakļaujiet šo ierīci lietus vai mitruma iedarbībai.

15. Nepieļaujiet, lai uz šīs ierīces pilētu ūdens vai tā tiktu apšakstīta, un nelieciet uz tās ar ūdeni uzpildītus priekšmetus, piemēram, vāzes.

**Svarbi saugos informacija (Lietuvių k.)**

1. Perskaitykite šias instrukcijas.
  2. Saugokite šias instrukcijas.
  3. Atkreipkite dėmesį į visus įspėjimus.
  4. .Laikykitės visų nurodymų.
  5. Nenaudokite šio prietaiso šalia vandens.
  6. Valykite tik sausu švelniu audiniu. Buitiniai valikliai ar tirpikliai gali pažeisti Sonos komponentų paviršių.
  7. Neuždenkite ventilacijos angų. Montuokite vadovaudamiesi gamintojo instrukcijomis.
  8. Prietaiso nemontuokite šalia šilumos šaltinių, pavyzdžiui, radiatorių, šilumos skaitiklių, viryklių ar kitų įrengimų, kurie gamina šilumą.
  9. Saugokite, kad nebūtų lipama arba spaudžiamas energijos tiekimo laidas, ypač kištukai, kištukiniai lizdai ir jų jungtys prie prietaiso.
  10. Naudokite tik gamintojo nurodytus priedus.
  11. Atjunkite prietaisą perkūnijos metu arba jei jo nenaudojate ilgesnį laiką.
  12. Visas aptarnavimas turi būti atliekamas Sonos kvalifikuoto aptarnaujančio personalo. Aptarnavimas prietaisui reikalingas, jei jis buvo pažeistas, pavyzdžiui, pažeistas elektros energijos tiekimo laidas ar kištukas, ant prietaiso išpiltas skystis, užkrito daiktai, į jį pateko lietaus ar drėgmės, jis neveikia arba buvo numestas.
  13. Maitinimo kištukas turi būti lengvai pasiekiamas, kad būtų galima atjungti prietaisą.
- 
- 14. Įspėjimas:** norėdami sumažinti gaisro ar elektros smūgio pavojų, saugokite šį prietaisą nuo lietaus ir drėgmės.
15. Saugokite prietaisą nuo lašėjimo ar pusrų ir nestatykite ant jo daiktų su skysčiais, pvz. vazos.

## Informazzjoni Importanti dwar is-Sigurtà (Malti)

1. Aqra dawn l-istruzzjonijiet.
2. Erfa' dawn l-istruzzjonijiet.
3. Aghti kas tat-twissijiet kollha.
4. Segwi l-istruzzjonijiet kollha.
5. Tużax dan it-taghmir qrib l-ilma.
6. Naddaf biss b'biċċa drapp ratba u xotta. Cleaners jew solvents domestiċi jistghu jaghmlu hsara lill-finish fuq il-komponenti Sonos tieghek.
7. Timblukkax kwalunkwe ftuh tal-ventilazzjoni. Installa b'mod konformi mal-istruzzjonijiet tal-manifattur.
8. Tinstallax qrib kwalunkwe sorsi ta' sħana bħal radiators, heat registers, fran, jew taghmir ieħor li jipproduċi s-sħana.
9. Ipproteġi l-power cable halli ma jintrifisx jew jinqaras, partikularment fejn ikun hemm plugs, convenience receptacles, u l-punt fejn johorġu mit-taghmir.
10. Uża biss attachments/aċċessorji speċifikati mill-manifattur.
11. Aqla' l-plug ta' dan it-taghmir waqt maltempati bir-ragħad jew meta ma jintużax għal żmien twil.
12. Irreferi s-servicing kollu lil staff ikkwalifikat tas-service ta' Sonos. Is-servicing hu meħtieġ meta t-taghmir tkun saritlu l-hsara bi kwalunkwe mod, bħal meta l-power-supply cable jew il-plug ikollhom il-hsara, ikun inxtered xi likwidu ġot-taghmir, it-taghmir ikun ġie espost għax-xita jew l-umdità, it-taghmir ma jkunx qed jaħdem b'mod normali jew ikun twaqqa'.
13. Għandu jkun hemm aċċess mingħajr problemi għall-Mains plug biex it-taghmir jiġi skonnnettjat.



**14. Twissija:** Biex tnaqqas ir-riskju ta' nar jew xokk elettriku, tesponix dan it-taghmir għax-xita jew l-umdità.

**15.** Tesponix it-taghmir għal taqtir jew titjir ta' likwidu, u tpoġġix fuqu oġġetti mimlija bil-likwidi, bħal vażuni.

**Viktig sikkerhetsinformasjon (Norsk)**

1. Les disse instruksjonene.
2. Oppbevar disse instruksjonene.
3. Ta hensyn til alle advarsler.
4. Følg alle instruksjoner.
5. Bruk ikke dette apparatet nært vann.
6. Rengjør kun med tørr myk klut.
7. Blokker ikke noen ventilasjonsåpninger. Installer i henhold til produsentens instruksjoner.
8. Installer ikke nær varmekilder som radiatorer, varmespjeld, ovner eller andre apparater som genererer varme.
9. Beskytt strømkabelen mot å bli gått på eller klemt, særlig ved kontakter, stikkontakter og punktet hvor de kommer ut av apparatet.
10. Bruk kun tilbehør/utstyr som spesifisert av produsenten.
11. Koble fra dette apparatet under tordenvær eller når det ikke brukes for lengre tidsperioder.
12. Overlat all service til kvalifisert servicepersonell. Service er nødvendig når apparatet har blitt skadet på noe vis som når strømkabelen eller kontakten er skadet, væske har blitt sølt eller objekter har falt i apparatet, apparatet har blitt utsatt for regn eller fukt, ikke fungerer normalt eller har blitt sluppet ned.
13. Hovedstrømkontakten skal være tilgjengelig for å koble fra utstyret.



**14. Advarsel:** For å redusere faren for brann eller elektrisk støt må ikke dette apparatet utsettes for regn eller fukt.


15. Utsett ikke apparatet for drypp eller sprut og plasser ikke objekter fylt med væske, slik som vaser, på apparatet.

## Ważne informacje dotyczące bezpieczeństwa (Polski)

1. Należy zapoznać się z poniższymi instrukcjami.
2. Przechowywać je w czasie użytkowania sprzętu.
3. Zwracać uwagę na wszelkie ostrzeżenia.
4. Postępować zgodnie z instrukcjami.
5. Nie korzystać ze sprzętu w pobliżu wody.
6. Czyścić wyłącznie suchą miękką ściereczką. Tradycyjne środki czyszczące lub rozpuszczalniki mogą zniszczyć powierzchnię elementów systemu Sonos.
7. Nie zatykać otworów wentylacyjnych. Instalować zgodnie z instrukcjami producenta.
8. Nie instalować sprzętu w pobliżu źródeł ciepła, takich jak grzejniki, urządzenia rejestrujące ciepło, piecyki lub inne urządzenia wytwarzające ciepło.
9. Należy chronić przewody zasilające przed deptaniem lub zakleszczaniem, szczególnie w okolicach wtyczek, gniazdek oraz w punktach połączenia ze sprzętem.
10. Korzystać wyłącznie z przystawek / akcesoriów sugerowanych przez producenta.
11. Odłączać sprzęt od prądu w czasie burz lub kiedy nie jest używany przez dłuższy okres czasu.
12. W kwestiach serwisowych należy kontaktować się z wykwalifikowaną obsługą serwisową Sonos. Naprawy sprzętu są konieczne w przypadku wystąpienia jakichkolwiek uszkodzeń, takich jak zniszczenie przewodu zasilającego lub wtyczki, rozlanie na sprzęt płynów lub upuszczenie na sprzęt przedmiotów, wystawienie sprzętu na deszcz lub wilgoć oraz kiedy urządzenie nie działa normalnie lub spadło na ziemię.
13. Wtyczka elektryczna powinna być łatwo dostępna, aby możliwe było natychmiastowe odłączenie sprzętu od prądu.
14. **Ostrzeżenie:** W celu zniwelowania ryzyka pożaru lub porażenia prądem nie należy wystawiać sprzętu na deszcz lub wilgoć.
15. Nie należy dopuszczać do wystawienia sprzętu na kapiące ciecze lub rozbryzgi wody, czy też umieszczać na sprzęcie przedmiotów wypełnionych cieczami, takich jak wazon.



## Informações importantes sobre segurança (Português)

1. Leia estas instruções.
  2. Guarde estas instruções.
  3. Fique atento a todos os avisos.
  4. Siga todas as instruções.
  5. Não utilize esse dispositivo próximo à água.
  6. Limpe somente com um pano seco e macio.
  7. Não bloqueie as entradas de ar. Execute a instalação de acordo com as instruções do fabricante.
  8. Não instale próximo a fontes de calor, como aquecedores, saídas de aparelhos de calefação, fogões ou outros dispositivos que produzem calor.
  9. Proteja o cabo de alimentação para evitar que ele seja pisado ou comprimido, principalmente nos plugues, receptáculos e no ponto em que se conecta ao dispositivo.
  10. Use somente conexões/acessórios especificados pelo fabricante.
  11. Desconecte o dispositivo em caso de relâmpagos ou durante longos períodos de inatividade.
  12. Solicite qualquer serviço de manutenção a uma equipe qualificada. A manutenção será necessária caso o dispositivo sofra danos, tais como: caso o cabo de alimentação ou o plugue estejam danificados, caso líquidos sejam derramados ou objetos caiam dentro do dispositivo, caso o dispositivo seja exposto à chuva ou à umidade, caso apresente mal funcionamento ou sofra uma queda.
  13. O plugue principal deve estar facilmente acessível para desconectar o equipamento.
-  **14. Aviso:** Para reduzir o risco de incêndios ou choques elétricos, não exponha o dispositivo à chuva nem à umidade.
15. Não exponha o dispositivo a gotejamentos ou respingos e não coloque objetos que contenham líquido, como vasos, sobre o dispositivo.

## Informații Importante pentru Siguranță (Română)

1. Citiți aceste instrucțiuni.
2. Păstrați aceste instrucțiuni.
3. Atenție la toate avertismentele.
4. Urmați toate instrucțiunile.
5. Nu folosiți acest aparat lângă apă.
6. Curățați numai cu o cârpă uscată și moale. Agenții de curățare sau solvenții de uz domestic pot avaria finisajul componentelor Sonos.
7. Nu blocați orificiile de ventilație. Instalați în conformitate cu instrucțiunile producătorului.
8. Nu instalați lângă surse de căldură precum radiatoare, guri de căldură sau alte aparate care produc căldură.
9. Protejați cablul de alimentare împotriva călcării sau ciupirii, mai ales în dreptul fișelor, a prizelor multiple și la punctele în care ies din aparat.
10. Folosiți numai adaptoare sau accesorii specificate de către producător.
11. Scoateți din priză aparatul în timpul furtunilor sau atunci când urmează să nu-l folosiți o perioadă lungă de timp.
12. Consultați personalul calificat de service al Sonos în orice problemă tehnică. Este necesară reparația atunci când aparatul a fost avariat în orice fel: de exemplu cablul de alimentare sau fișa au fost avariate, a fost vărsat lichid sau au căzut obiecte în interiorul aparatului, aparatul a fost expus la ploaie sau umezeală, nu funcționează normal sau a fost scăpat.
13. Priza de alimentare trebuie să fie ușor accesibilă pentru deconectarea aparatului de la rețea.



**14. Avertisment:** Pentru a reduce riscul de incendiu sau de electrocutare, nu expuneți acest aparat la ploaie sau umezeală.

15. Nu expuneți aparatul la scurgeri sau stropiri și nu plasați pe aparat obiecte pline cu lichide, precum vasele.

## **Важная информация по технике безопасности (русский)**

1. Прочитайте данные инструкции.
2. Сохраните данные инструкции.
3. Обратите внимание на все предупреждения.
4. Соблюдайте все инструкции.
5. Не используйте данное устройство вблизи воды.
6. Очищайте только с помощью сухой мягкой ткани. Бытовые чистящие средства или растворители могут повредить покрытие компонентов устройства Sonos.
7. Не закрывайте вентиляционные отверстия. Установите устройство в соответствии с инструкциями производителя.
8. Не устанавливайте вблизи источников тепла, например радиаторов, обогревателей, печей и других устройств, вырабатывающих тепло.
9. Примите меры, чтобы не допустить сдавливания шнура питания, а также чтобы на него наступали, особенно возле штепсельной вилки, электрической розетки и в месте выхода шнура из устройства.
10. Используйте только приспособления/аксессуары, указанные производителем.
11. Отключайте данное устройство от сети во время грозы или если вы не планируете использовать устройство в течение продолжительного времени.
12. Техническое обслуживание устройства должен осуществлять квалифицированный персонал компании Sonos. Необходимость в техническом обслуживании возникает при каких-либо повреждениях устройства, например, если поврежден шнур питания или штепсельная вилка, на устройство пролита жидкость, внутрь него попали посторонние предметы, устройство не работает надлежащим образом, а также в случае воздействия на него дождя или влаги либо падения устройства.
13. Необходимо обеспечить доступность сетевого штепселя для отключения оборудования.





14. Предупреждение. Для снижения риска возникновения пожара или поражения электрическим током не подвергайте данное устройство воздействию дождя или влаги.

15. Не допускайте воздействия на устройство капающей воды или попадания брызг и не помещайте на устройство емкости, наполненные жидкостью, например вазы.

## 重要安全信息（简体中文）

1. 阅读这些说明。
2. 保留这些说明。
3. 注意所有警告。
4. 遵循所有说明。
5. 切勿在近水的地方使用本设备。
6. 只能用软干布清洁本设备。家用清洁剂或溶剂可能会损坏 Sonos 组件的表面。
7. 切勿阻塞任何通风口。按照厂家提供的说明书进行安装。
8. 切勿将本设备安装在热源（例如散热器、热暂存器、炉子）或其他会产生热的装置附近。
9. 防止电源线被踩到或夹到，尤其要小心保护插头、电源插座及其在本设备上的出口点。
10. 只使用厂家指定的附件 / 配件。
11. 雷雨天气或长期不使用本设备时，应拔出其电源插头。
12. 本设备的一切维修应由合格的 Sonos 维修人员执行。一旦本设备受到任何损坏，就需要进行维修——损坏情况包括：电源线或插头损坏；有液体渗入或异物落入到本设备中；本设备接触到雨水或湿气，不能正常工作，或被摔落。
13. 电源插头应能随时从插座拔出。



14. 警告：为了降低火灾或触电风险，切勿让本设备接触到雨水或湿气。

15. 不要让本设备接触到滴落物或溅出物，不要将装有液体的物体（例如花瓶）放在本设备上。

## Dôležité bezpečnostné informácie (Slovensky)

1. Prečítajte si tieto pokyny.
2. Odložte si tieto pokyny.
3. Dodržte všetky varovania.
4. Dodržujte všetky pokyny.
5. Tento prístroj nepoužívajte v blízkosti vody.
6. Čistite len mäkkou, suchou handričkou. Domáce čistiace prípravky a detergenty môžu poškodiť povrch Vašich Sonos komponentov.
7. Nezakrývajte vetracie otvory. Montáž vykonávajte v súlade s pokynmi výrobcu.
8. Neukladajte do blízkosti zdrojov tepla, ako sú radiátory, ohrievače, pece alebo iné zariadenia vyžarujúce teplo.
9. Napájací kábel chráňte pred pošliapaním alebo zaštipnutím, obzvlášť pri zástrčke, zásuvkovom konektore a tam, kde vystupuje zo zariadenia.
10. Používajte len doplnky/príslušenstvo uvedené výrobcom.
11. Zariadenie počas búrky alebo pred dlhším obdobím bez používania odpojte od zdroja napájania.
12. Akýkoľvek servis nechajte na kvalifikovaný personál spoločnosti Sonos. Servis je potrebný, ak bolo zariadenie akokoľvek poškodené - napr. je poškodený napájací kábel alebo zástrčka, bola doň naliatá akákoľvek tekutina alebo doň spadli nejaké predmety, zariadenie bolo vystavené dažďu alebo vlhkosti, nefunguje správne alebo spadlo.
13. Napájací kábel musí byť dostupný, aby mohol byť kedykoľvek vytiahnutý zo zásuvky.



**14. Varovanie:** Aby ste predišli riziku požiaru alebo elektrického úrazu, nevystavujte toto zariadenie dažďu alebo vlhkosti.

15. Zariadenie nevystavujte kvapkaniu alebo špliechaniu vody, ani naň neukladajte predmety naplnené vodou, napr. vázy.

## Pomembne informacije za varnost (Slovenščina)


1. Preberite ta navodila.
2. Shranite ta navodila.
3. Upoštevajte vsa opozorila.
4. Sledite vsem navodilom.
5. Naprave ne uporabljajte v bližini vode.
6. Čistite jo samo s suho mehko krpo. Gospodinjstva čistila ali topila lahko poškodujejo zaključni sloj na vaših komponentah Sonos.
7. Ne blokirajte prezračevalnih odprtin. Napravo namestite v skladu z navodili proizvajalca.
8. Ne namestite je blizu virov toplote, kot so radiatorji, ogrevala, štedilniki ali druge naprave, ki proizvajajo toploto.
9. Zaščitite električni kabel tako, da se ne hodi po njem ali da ni ukleščen, predvsem pri vtičih, primerno embalažo, in točko, iz katere izhaja iz naprave.
10. Uporabljajte samo priključke/pripomočke, ki jih je določil proizvajalec.
11. Napravo izklopite v času neurja ali če jo dlje časa ne boste uporabljali.
12. Servise za Sonos naj izvedejo usposobljeni serviserji. Servis je potreben, če je bila naprava kakorkoli poškodovana, če je električni napajalni kabel ali vtič poškodovan, če je bila tekočina prelita ali če so objekti padli v napravo, če je bila naprava izpostavljena dežju ali vlagi, če ne deluje pravilno ali če je padla.
13. Glavni vtič mora biti dostopen za izklop opreme.



**14. Opozorilo:** da bi zmanjšali nevarnost požara ali električnega udara, naprave ne izpostavljajte dežju ali vlagi.

15. Naprave ne izpostavljajte kapljanju ali brizganju in na napravo ne odlagajte predmetov, napolnjenih z vodo, kot so vaze.

## Información de seguridad importante (Español)

1. Lea estas instrucciones.
  2. Conserve estas instrucciones.
  3. Preste atención a todas las advertencias.
  4. Siga todas las instrucciones.
  5. No utilice este aparato cerca del agua.
  6. Límpielo solamente con un paño suave y húmedo. Los productos de limpieza o disolventes domésticos podrían dañar el acabado de los componentes de Sonos.
  7. No bloquee los orificios de ventilación. Realice la instalación de conformidad con las instrucciones del fabricante
  8. No instale el aparato cerca de fuentes de calor, tales como radiadores, registradores de calor, estufas o cualquier otro aparato que produzca calor.
  9. Proteja el cable de alimentación a fin de que no sea pisado o pellizcado, de forma particular en los enchufes, en los receptáculos y en el punto de salida del aparato.
  10. Utilice solamente accesorios especificados por el fabricante.
  11. Desenchufe el aparato durante tormentas de relámpagos o si deja de utilizarse por lapsos prolongados de tiempo.
  12. Todo tipo de servicio debe ser realizado por personal de servicio de Sonos calificado. El aparato requiere servicio si se ha dañado de cualquier modo; por ejemplo, si se daña el cable o enchufe de alimentación, si se derraman líquidos o se introducen objetos en el aparato, si el aparato se ha expuesto a la lluvia o humedad, si no opera normalmente o si se cae.
  13. El enchufe principal debe estar a la mano a fin de desconectar el equipo.
-  **14. Advertencia:** A fin de reducir el riesgo de ignición o de choque eléctrico, no exponga el aparato a la lluvia o humedad.
15. No exponga el aparato a goteos o salpicaduras y no coloque objetos que contengan líquidos, tales como vasos, encima del aparato.

## Viktig säkerhetsinformation (Svenska)

1. Läs dessa instruktioner.
2. Behåll dessa instruktioner.
3. Beakta alla varningar.
4. Följ alla instruktioner.
5. Använd inte apparaten nära vatten.
6. Rengör endast med torr, mjuk trasa. Rengöringsmedel eller lösningsmedel för hushållsbruk kan skada ytfinishen på dina Sonos-komponenter.
7. Blockera inte ventilationsöppningarna. Installera enligt tillverkarens instruktioner.
8. Installera inte i närheten av värmekällor så som element, spisar och/eller andra apparater som avger värme.
9. Skydda nätkabeln från tramp och klämning, särskilt vid kontakterna, uttag eller på andra ställen där de kommer ut ur apparaten.
10. Använd endast tillbehör som specificerats av tillverkaren
11. Koppla bort apparaten från nätet under åskväder eller om den inte skall användas under längre tid.
12. All service skall utföras av Sonos kvalificerade servicepersonal. Service är nödvändig om apparaten har skadats, exempelvis om nätkabeln eller stickproppen är skadad, om vätska har spillts eller föremål har kommit in i apparaten, om den utsatts för regn eller fukt, inte fungerar normalt eller har tappats.
13. Nätkontakten skall vara lätt tillgänglig för urkoppling av apparaten.



**14. Varning:** Minska risken för brand eller elektriska stötar genom att inte utsätta apparaten för regn eller fukt.

15. Utsätt inte apparaten för dropp eller stänk och placera inte föremål fyllda med vätska, så som vaser, på apparaten.

## Önemli Güvenlik Bilgileri (Türkçe)

1. Bu talimatları okuyun.
2. Bu talimatları saklayın.
3. Tüm uyanları dikkate alın.
4. Tüm talimatlara uyun.
5. Bu cihazı suyun yakınında kullanmayın.
6. Sadece kuru, yumuşak bir bezle temizleyin. Ev tipi temizleyiciler veya çözücüler, Sonos bileşenlerinizin yüzey cilasına zarar verebilir.
7. Hiçbir havalandırma deliğini kapatmayın. Üreticinin talimatlarına göre montaj yapın.
8. Radyatör, kalorifer, ısıtıcı veya diğer ısı üreten cihazlar gibi herhangi bir ısı kaynağının yanına kurmayın.
9. Özellikle fişlerde, çoklu prizlerde ve kabloların cihazdan çıktığı noktalarda güç kablosunun üzerine basılmasını veya sıkışmasını önleyin.
10. Sadece üreticinin belirttiği eklentileri/aksesuarları kullanın.
11. Gök gürültülü fırtınalarda ve uzun süre kullanılmayacaksa cihazın prizle olan bağlantısını kesin.
12. Tüm servis işlemlerini Sonos'un vasıflı servis personeline bırakın. Güç besleme kablosunun veya fişinin zarar görmesi, cihazın üzerine sıvı dökülmesi veya cisim düşmesi, cihazın yağmura veya neme maruz kalması, normal çalışmaması veya düşürülmesi gibi herhangi bir cihaz hasarında servis gereklidir.
13. Şebeke fişi, ekipmanın bağlantısını kesmek için her zaman ulaşılabilir olmalıdır.



**14. Uyarı:** Yangın veya elektrik çarpması riskini azaltmak için, bu cihazı yağmura veya neme maruz bırakmayın

15. Cihazı damlayan veya sıçrayan sıvılara maruz bırakmayın ve vazo gibi, sıvıyla dolu olan cisimleri cihazın üzerine koymayın.





640-00624 Rev C

Sonos, Inc.

[www.sonos.com](http://www.sonos.com)